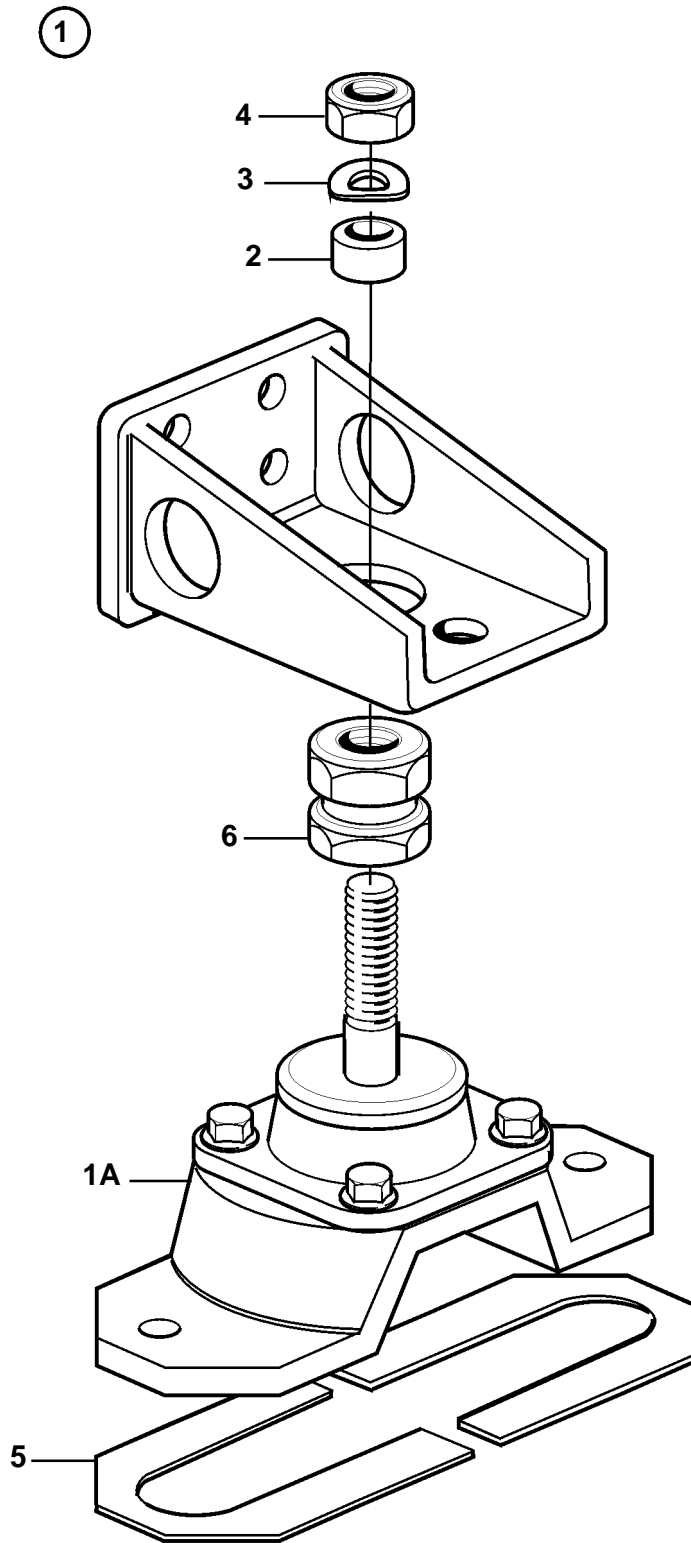


TAMD63L-A, TAMD63P-A, TAMD63L-B, TAMD74A-A, TAMD74A-B, TAMD74C-A, TAMD74L-A, TAMD74P-A, TAMD74C-A, TAMD74L-A, TAMD74P-A,



TAMD63L-A, TAMD63P-A, TAMD63L-B, TAMD74A-A, TAMD74A-B, TAMD74C-A, TAMD74L-A, TAMD74P-A, TAMD74C-A, TAMD74L-A, TAMD74P-A,

REF	PART NO.	QTY	DESCRIPTION	NOTES
1	876749	2	Rubber element kit	(3825191)
1A	3826730	2	Rubber cushion	
2	3832907	2	· Spacer	
3	941912	2	· Spring washer	
4	963110	2	· Nut	
5	898455	4	· Spacer	TH=0,5mm
	898457	4	· Spacer	TH = 1,0mm
	898459	4	· Spacer	TH=3,0mm
6	3826709	2	· Adjusting sleeve	ALT