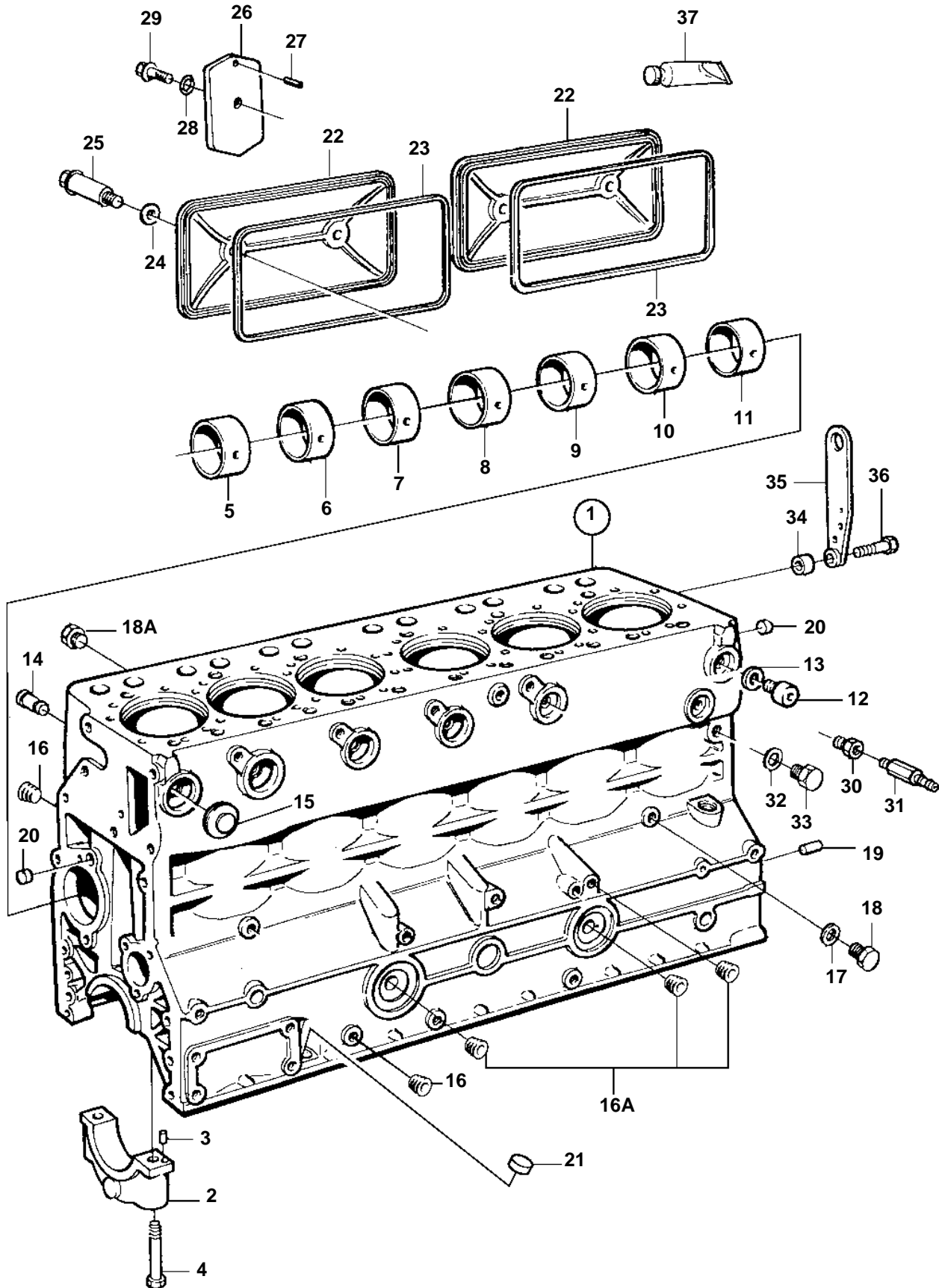


TAMD63L-A, TAMD63L-B, TAMD63P-A



TAMD63L-A, TAMD63L-B, TAMD63P-A

REF	PART NO.	QTY	DESCRIPTION	NOTES
1	420990	1	Cylinder block	
2		7	· Main bearing cap	
3	422426	1	· Pin	
4	465899	14	· Screw	
5	422076	1	· Bushing	
6	422077	1	· Bushing	
7	422078	1	· Bushing	
8	422079	1	· Bushing	
9	422080	1	· Bushing	
10	422081	1	· Bushing	
11	422082	1	· Bushing	
12	467367	2	· Plug	
13	469328	2	· Gasket	
14	422369	2	· Plug	
15	968955	4	· Expansion plug	
16	952075	2	· Plug	
16A	968145	3	· Plug, 3/8-NPTF	
17	947281	1	· Gasket	
18	965768	1	· Plug	
18A	479979	5	· Plug	
19	191171	2	· Pin	
20	955082	6	· Cap plug	
21	955082	2	Cap plug	
22	420120	2	Inspection cover	
23	421121	2	Gasket	
24	471856	4	Sealing ring	
25	471855	4	Screw	
26	471854	1	Cover	
27	951973	1	Grooved pin	
28	944364	1	O-ring	
29	946329	1	Flange screw	
30	479954	1	Nipple	
31	949918	1	Drain cock	
	947893	1	Drain cock	EARLIER PROD FOR 947893
32	18665	1	Gasket	
33	968060	1	Plug	
34	847237	1	Sleeve	
35		1	Lifting eye	
36	965225	1	Flange screw	
37	1161231	X	Sealant	304ml