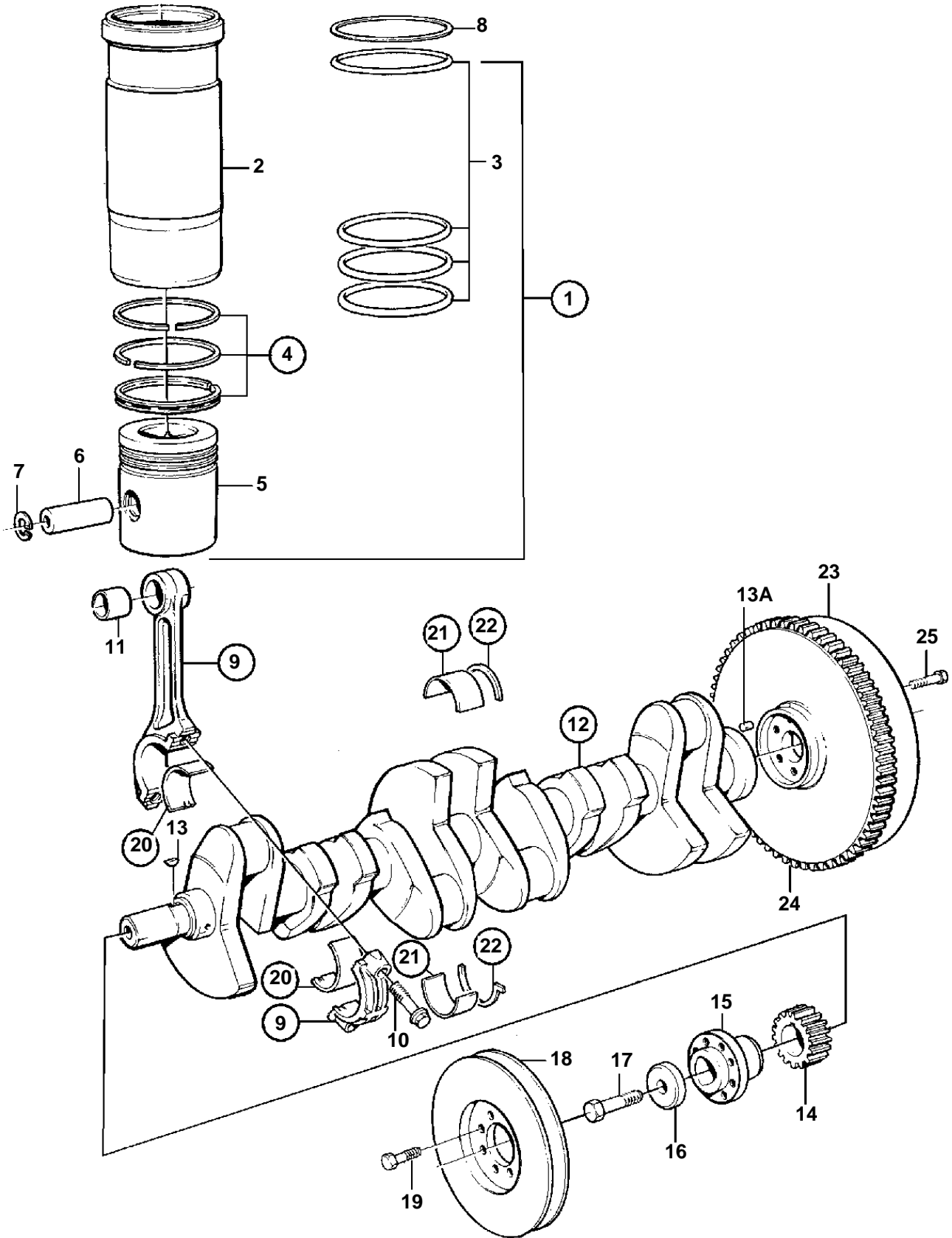


TAMD63L-A, TAMD63L-B, TAMD63P-A



## TAMD63L-A, TAMD63L-B, TAMD63P-A

REF	PART NO.	QTY	DESCRIPTION	SEE SEC.	NOTES
1	876723	6	Cylinder liner kit		SEE GROUP 99
2		6	· Cylinder liner		
3	271161	6	· Sealing ring kit		
4	276310	6	· Piston ring kit		
5		6	· Piston		
6	3978023	6	Piston pin		STD (420988)
7	914523	12	Lock ring		
8	465394	X	Shim		TH=0,20mm. Shims to adjust the cylinder liner level.
	465395	X	Shim		TH = 0,30mm. Shims to adjust the cylinder liner level.
	465396	X	Shim		TH = 0,50mm. Shims to adjust the cylinder liner level.
9	465812	6	Connecting rod	SO	REPL BY 8192120
	8192120	6	Connecting rod	SO	
	3092237	6	Connecting rod		
			Bulletin 45-30	45-30-EN	New connecting rod for TAMD60B
10	465815	12	· Screw		
11	465816	6	· Bushing		FOR 465812
	8192121	6	· Bushing		FOR 8192120, 3092237
12	420662	1	Crankshaft, 6-hole		SN-XXXXXXXXXXXX/106089
	8192122	1	Crankshaft, 9-hole		SNXXXXXXXXXXXX/106090-
13	422253	1	· Woodruff key		
13A	950677	1	· Pin		
14	471528	1	Gear		
			Bulletin 45-01	45-01-EN	Timing Gears, 71, 100, 121
15	465779	1	Hub		
16	420124	1	Washer		
17	1543035	1	Screw		
18	866187	1	Vibration damper		
19	421796	8	Screw		
20	270139	6	Big end bearing kit		STD D
			Bulletin 45-30	45-30-EN	New connecting rod for TAMD60B
20	270140	6	Big end bearing kit		U.S=0,25mm
	270141	6	Big end bearing kit		U.S=0,51mm
	270142	6	Big end bearing kit		U.S=0,76mm
	270143	6	Big end bearing kit		U.S=1,01mm
		6	Big end bearing kit		U.S=1,27mm
21	271230	7	Main bearing kit		STD D
	271231	7	Main bearing kit		U.S=0,25mm
	271232	7	Main bearing kit		U.S=0,51mm
	271233	7	Main bearing kit		U.S=0,76mm
	271234	7	Main bearing kit		U.S=1,01mm
	271235	7	Main bearing kit		U.S=1,27mm
22	276751	1	Thrust washer kit		STD D
	276752	1	Thrust washer kit		O.S=0,10mm
	276753	1	Thrust washer kit		O.S=0,20mm
	276754	1	Thrust washer kit		O.S=0,30mm
23	848350	1	Flywheel, 6-hole		SN-XXXXXXXXXXXX/106089
	3827177	1	Flywheel, 9-hole		SNXXXXXXXXXXXX/106090-. With hole for alfa sensor. (3825864)
24	420314	1	· Gear ring		(420067)
25	465826	6	Screw		FOR 848350
	465826	9	Screw		FOR 3825864