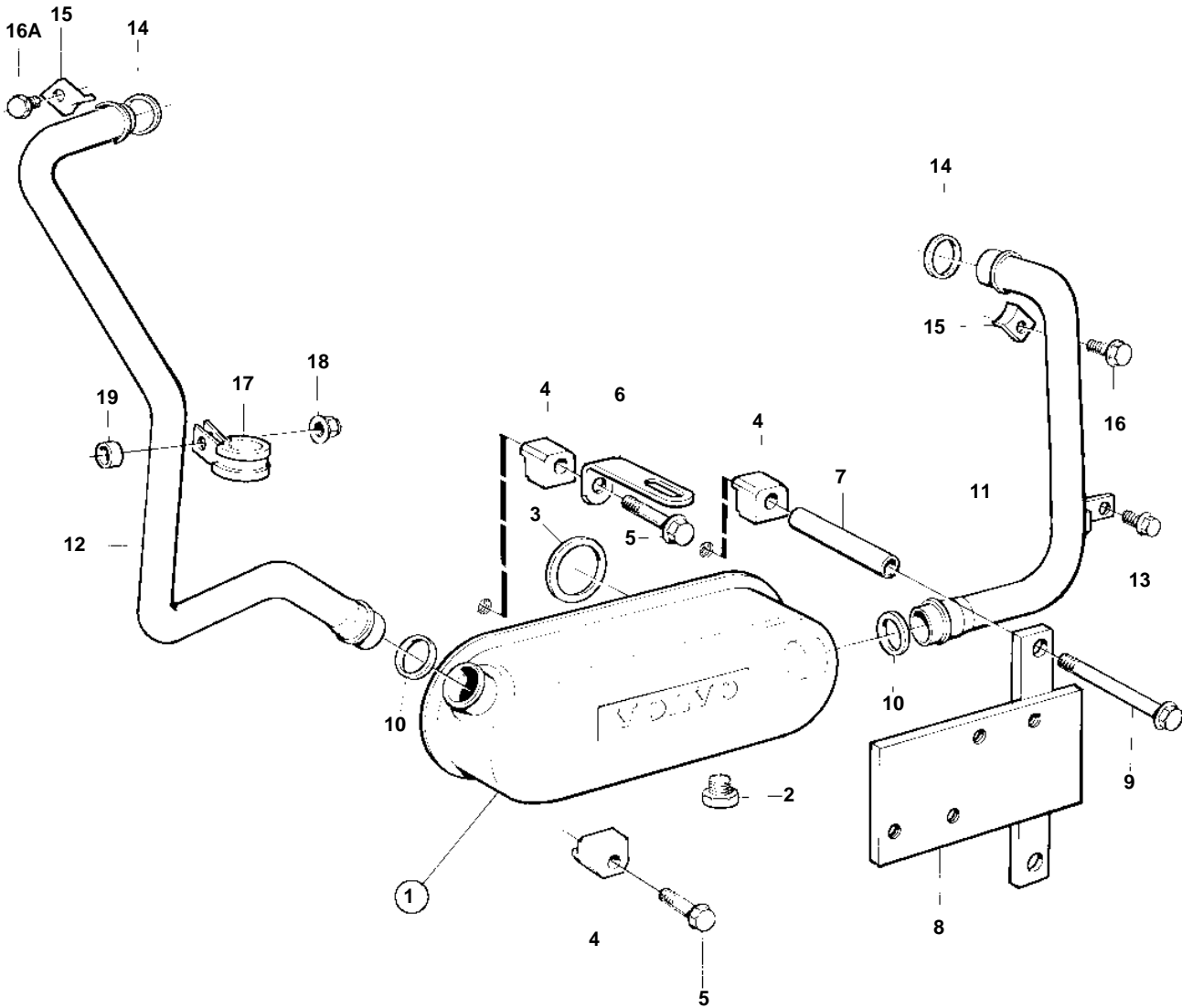


TAMD63L-A, TAMD63L-B, TAMD63P-A



162:9

TAMD63L-A, TAMD63L-B, TAMD63P-A

REF	PART NO.	QTY	DESCRIPTION	NOTES
1	863146	1	Oil cooler	REPLACED BY 866539
	866539	1	Oil cooler	
2	981749	1	• Plug	
3	471467	2	Sealing ring	
4	471804	4	Retainer	
5	965186	2	Flange screw	L=50mm
6	965559	1	Bracket	
7	3962122	2	Spacer sleeve	
8	3826159	1	Bracket	
9	968237	2	Flange screw	L=120mm
10	1543579	2	Sealing ring	
11	866642	1	Coolant pipe	Cylinder block-oil cooler.
12	866643	1	Coolant pipe	Thermostat housing-oil cooler.
13	946440	1	Flange screw	M8x16mm
14	471637	2	Sealing ring	
15	421654	2	Clamp	
16	946440	1	Flange screw	M8x16mm
16A	949846	1	Screw	Tapping screw.
17	947827	1	Clamp	
18	971098	1	Flange lock nut	M10
19	823575	1	Spacer sleeve	