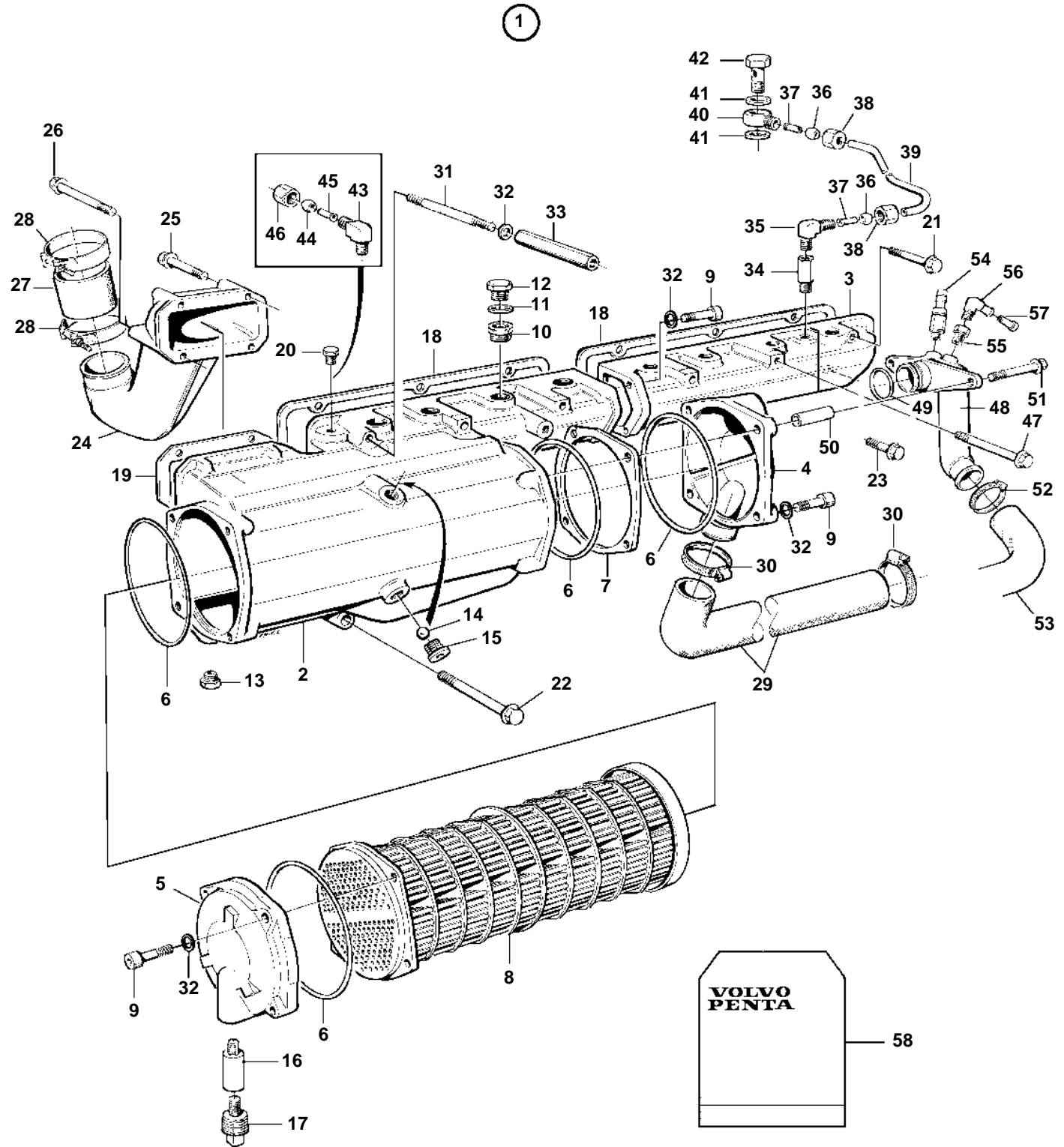


TAMD63L-A, TAMD63L-B, TAMD63P-A



## TAMD63L-A, TAMD63L-B, TAMD63P-A

REF	PART NO.	QTY	DESCRIPTION	NOTES
1	866178	1	Intercooler	
2	866595	1	· Housing	
3	866598	1	· Pipe	
4	866596	1	· End plate	
5	866597	1	· End plate	
6	949272	4	· O-ring	
7	866593	1	· Spacer	
8	866599	1	· Intercooler	
9	959224	10	· Screw	
10	866600	8	· Adapter	
11	969011	8	· Gasket	
12	960630	8	· Plug	
13	866760	1	· Plug	
14	866758	2	· Steel ball	
15	866759	2	· Plug	
16	838929	1	· Zinc anod	
17	838928	1	· Plug	
18	3829434	2	Gasket	SEE GROUP 99. Included in kit 876725.
19	866688	1	Gasket	SEE GROUP 99. Included in kit 876725.
20	981749	1	Plug	
21	965216	1	Screw	
22	973096	1	Flange screw	M10x130mm
23	946671	6	Flange screw	
24	866212	1	Riser	
25	965216	2	Screw	
26	965183	2	Flange screw	
27	866689	1	Hose	
28	1544731	2	Hose clamp	
29	866217	1	Hose	
30	961672	2	Clamp	
31	953062	1	Stud	M8x100mm
32	941907	11	Spring washer	
33	3825171	1	Spacer	
34	862109	1	Nipple	
35	954385	1	Elbow nipple	
36	954364	2	Fitting	
37	944717	2	Sleeve	
38	954356	2	Cap nut	
39	945460	1	Plastic pipe	ALT, L=640mm
40	945417	1	Nipple	
41	11994	2	Gasket	
42	969299	1	Hollow screw	
43	954385	1	Elbow nipple	ALT
44	954364	1	Fitting	ALT
45	944717	1	Sleeve	ALT
46	954356	1	Cap nut	ALT
47	965182	4	Flange screw	M8x80mm. For engines in with keel cooling.
48	3825869	1	Coolant pipe	For engines in with keel cooling.
49	866690	1	O-ring	For engines in with keel cooling.. Included in kit 876725.
50	842351	2	Spacer sleeve	For engines in with keel cooling.
51	965183	2	Flange screw	M8x90mm. For engines in with keel cooling.
52	961672	1	Clamp	For engines in with keel cooling.
53	866218	1	Hose	After cooler-oil cooler.. For engines in with keel cooling.
54	949918	1	Drain cock	For engines in with keel cooling.
55	180002	1	Fitting	For engines in with keel cooling.
56	479953	1	Elbow nipple	For engines in with keel cooling.
57	865754	1	Orifice sleeve	For engines in with keel cooling.
58	876725	1	Gasket kit	SEE GROUP 99