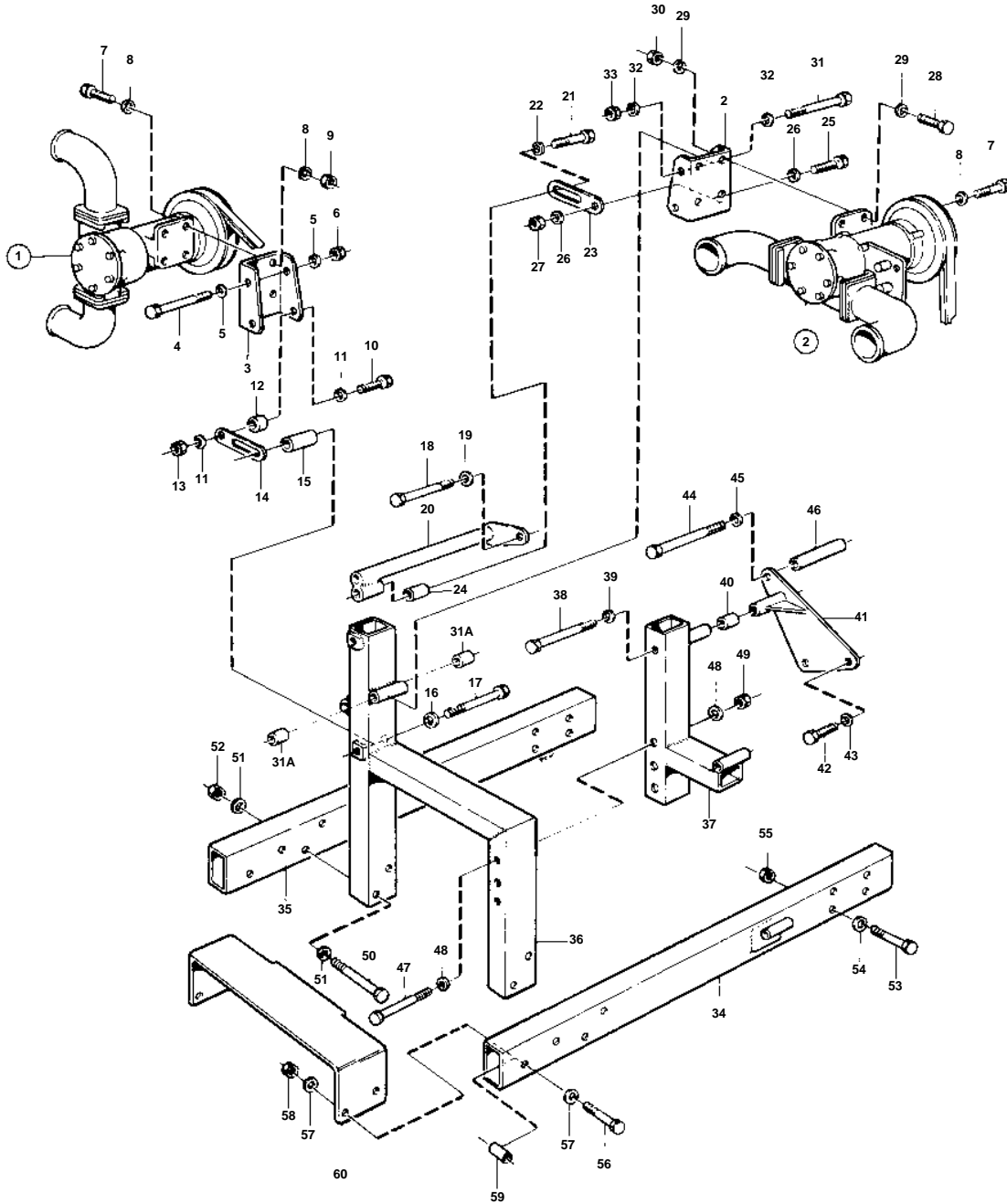


TAMD61A



9535

## TAMD61A

REF	PART NO.	QTY	DESCRIPTION	SEE SEC.	NOTES
1	846104	1	Pump		1 1/4"
				644	
2	846105	1	Water pump		2
				1014	
3	847950	2	Bracket		
4	970960	1	Screw	SO	
5	941908	2	Spring washer		
6	955783	1	Nut		
7	970948	4	Screw		
8	941908	4	Spring washer		
9	955783	4	Nut		
10	955295	1	Screw		
11	941907	2	Spring washer		
12	807183	1	Spacer sleeve		
13	955782	1	Nut		
14	807185	1	Tensioner		
15	845589	1	Spacer sleeve		
16	966674	1	Washer		(960141)
17	940129	1	Screw		
18	940129	1	Screw		
19	966674	1	Washer		(960141)
20		1	Bracket		
21	940129	1	Screw		
22	966674	1	Washer		(960141)
23	807185	1	Tensioner		
24	807183	1	Spacer sleeve		EARLY TYPE
25	955295	1	Screw		
26	941907	2	Spring washer		
27	955782	1	Nut		
28	970948	4	Screw		
29	941908	8	Spring washer		
30	955783	4	Nut		
31	970960	1	Screw	SO	
31A			Sleeve		
32	941908	2	Spring washer		
33	955783	1	Nut		
34		1	Bracket		
35		1	Rotor		
36		1	Bracket		Bracket 847943 replaced by 1 ea bracket 863991 and 2 ea sleeves 863990.
		1	Bracket		
37		1	Bracket		
38	970963	1	Screw		
39	941908	1	Spring washer		
40	823575	1	Spacer sleeve		
41		1	Bracket		
42	955297	2	Screw		
43	941907	2	Spring washer		
44	970966	2	Screw		
45	941908	1	Spring washer		
	960148	1	Washer		
46	822791	1	Spacer sleeve		
47	970964	3	Screw		
48	960143	6	Washer		
49	955783	3	Nut		
50	970960	4	Screw	SO	
51	960143	8	Washer		
52	955783	4	Nut		
53	970956	8	Screw		
54	960143	16	Washer		
55	955783	8	Nut		
56	955302	4	Screw		
57	966674	8	Washer		(960141)

TAMD61A

REF	PART NO.	QTY	DESCRIPTION		SEE SEC.	NOTES
58	946330	4	Nut			
59	807182	1	Spacer sleeve			
60	847951	1	Bracket	OP		For servo pump.
		1	Pulleyextra		597	