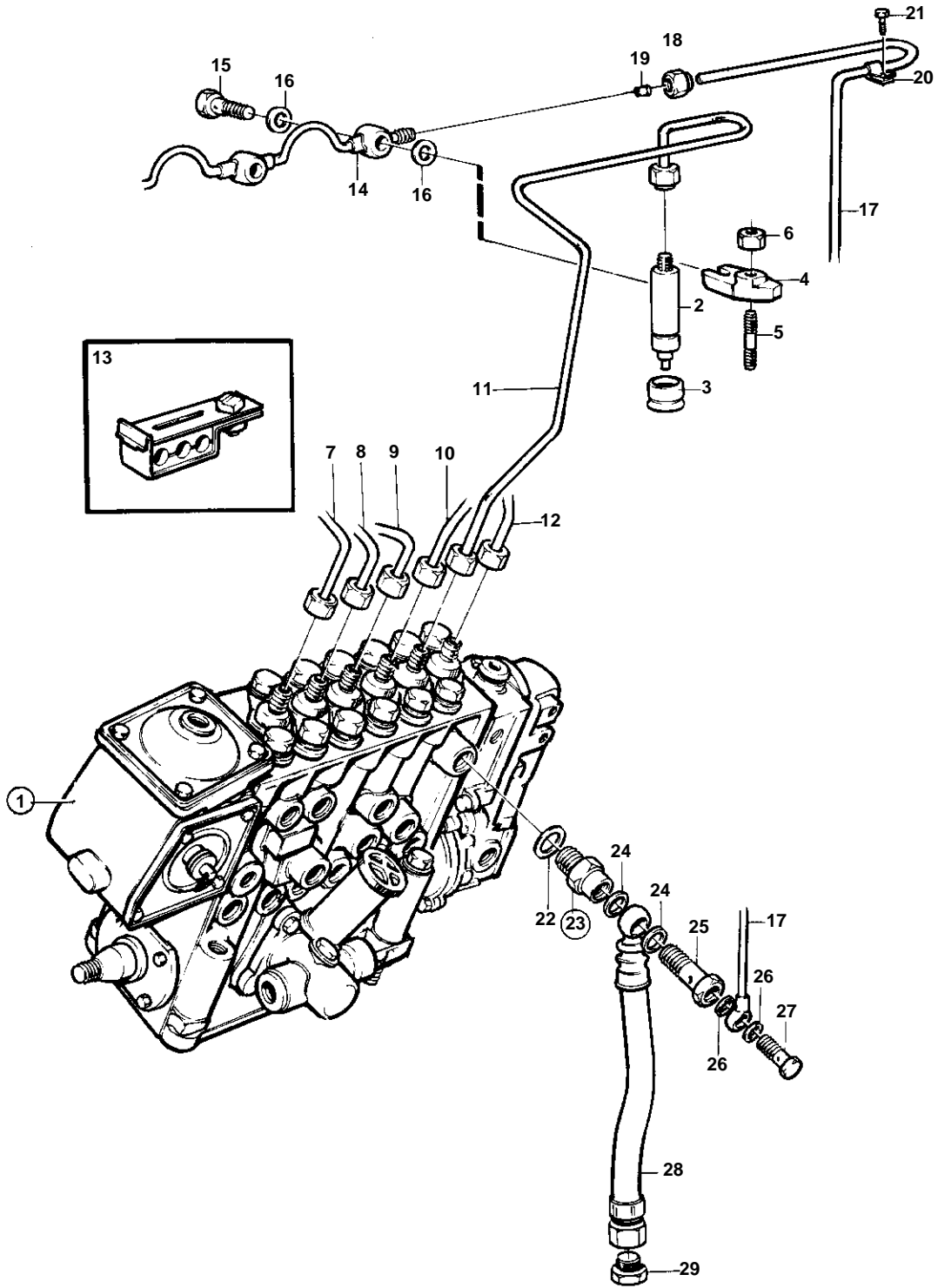


TAMD61A, TAMD62A



15520

TAMD61A, TAMD62A

| REF | PART NO. | QTY | DESCRIPTION | SEE SEC. | NOTES |
|-----|----------|-----|----------------|----------|---------------|
| 1 | | 1 | Injection pump | 1291 | |
| 2 | 848799 | 6 | Injector | | |
| | 3803254 | 6 | Injector, exch | | Exchange unit |
| | | | | 1349 | |
| 3 | 469455 | 6 | Sealing ring | | |
| 4 | 469797 | 6 | Yoke | | |
| 5 | 1545022 | 6 | Stud | | |
| 6 | 971095 | 6 | Nut | | |
| 7 | 849629 | 1 | Delivery pipe | | CYL NO 1 |
| 8 | 849630 | 1 | Delivery pipe | | CYL NO 2 |
| 9 | 849631 | 1 | Delivery pipe | | CYL NO 3 |
| 10 | 849632 | 1 | Delivery pipe | | CYL NO 4 |
| 11 | 849633 | 1 | Delivery pipe | | CYL NO 5 |
| 12 | 849634 | 1 | Delivery pipe | | CYL NO 6 |
| 13 | 470181 | 6 | Clamp | | 2 PIPES |
| | 470182 | 1 | Clamp | | 3 PIPES |
| | 470183 | 1 | Clamp | | 4 PIPES |
| 14 | 471605 | 1 | Leak-off pipe | | |
| 15 | 74033 | 6 | Hollow screw | | |
| 16 | 947620 | 12 | Gasket | | |
| 17 | 848626 | 1 | Leak-off line | | |
| 18 | 956980 | 1 | Nut | | |
| 19 | 956966 | 1 | Ferrule | | |
| 20 | 121563 | 1 | Clamp | | |
| 21 | 965175 | 1 | Screw | | |
| 22 | 969011 | 1 | Gasket | | (239897) |
| 23 | 35096 | 1 | Overflow valve | | |
| | | | | 895 | |
| 24 | 969011 | 2 | Gasket | | |
| 25 | 16496 | 1 | Hollow screw | | |
| 26 | 947620 | 2 | Gasket | | |
| 27 | 74033 | 1 | Hollow screw | | |
| 28 | 866964 | 1 | Fuel hose | | |
| 29 | 22753 | 1 | Nipple | | |