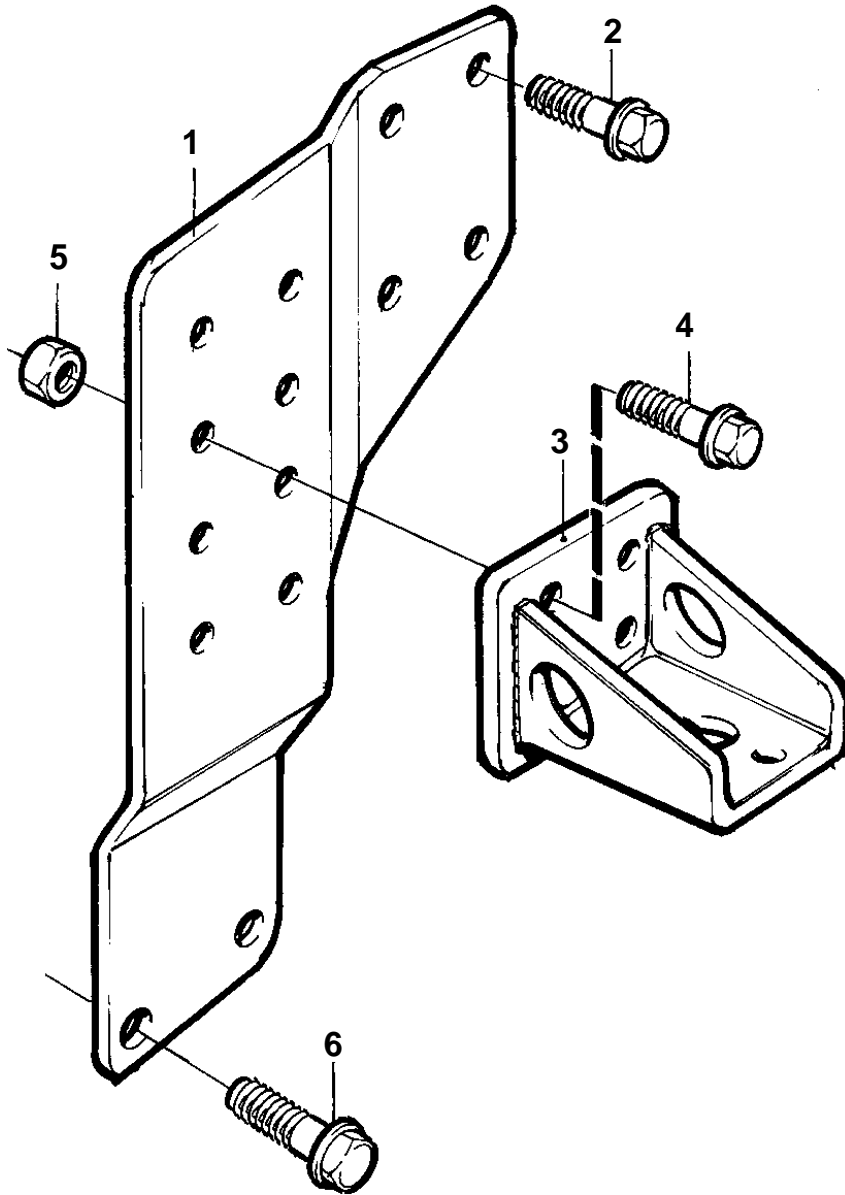


TAMD61A



15529

TAMD61A

REF	PART NO.	QTY	DESCRIPTION	NOTES
1	848499	1	Bracket	P
	848500	1	Bracket	S.B
2	965225	8	Flange screw	M12x25mm (966343)
3	848369	2	Bracket	
4	965225	8	Flange screw	M12x25mm (966343)
5	971099	8	Flange lock nut	
6	968435	4	Flange screw	M16x40