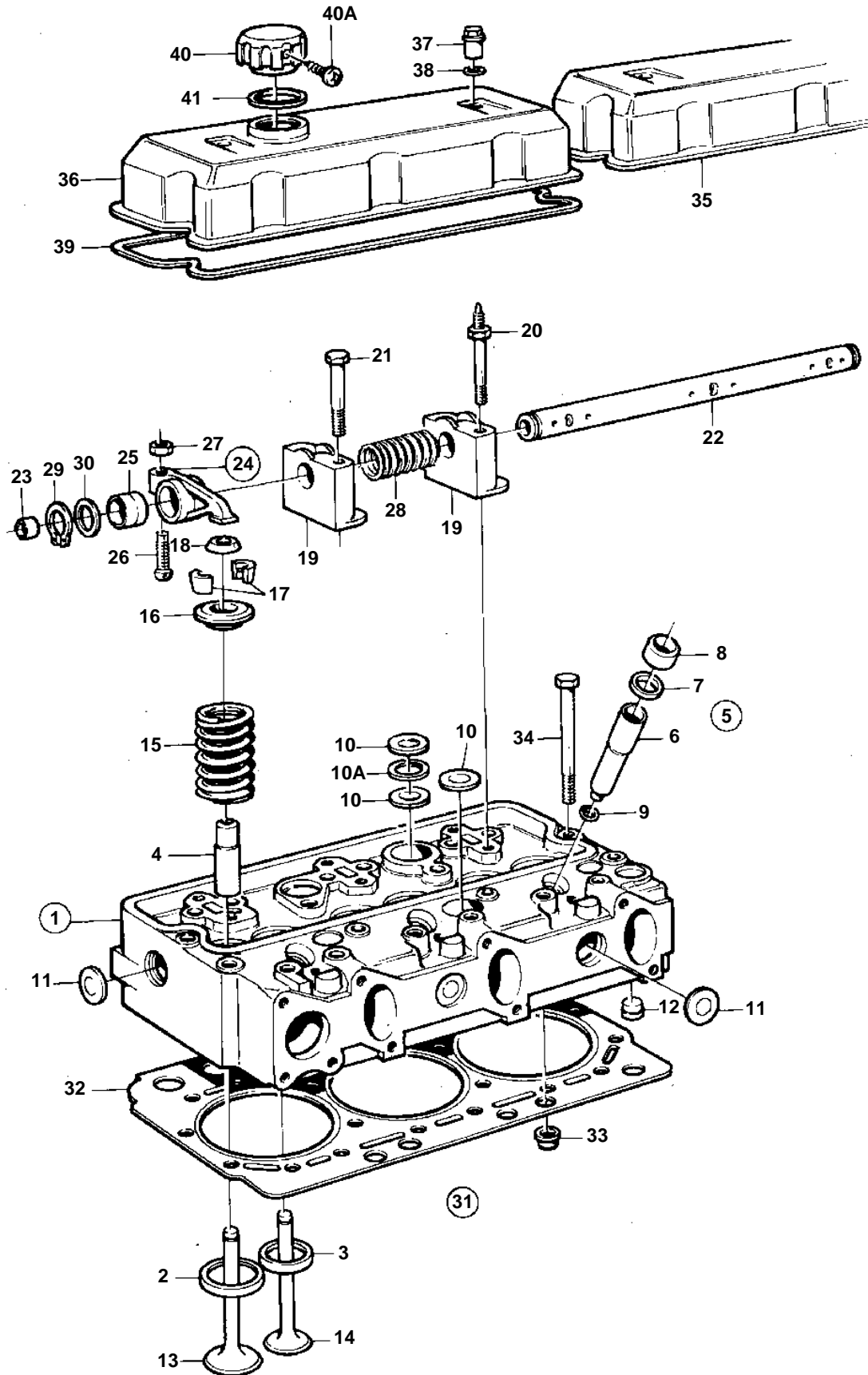


TAMD61A, TAMD62A



15969

## TAMD61A, TAMD62A

| REF | PART NO. | QTY | DESCRIPTION            | NOTES                   |
|-----|----------|-----|------------------------|-------------------------|
| 1   | 465780   | 2   | Cylinder head          |                         |
| 2   | 465158   | 6   | · Valve seat, intake   |                         |
| 3   | 465155   | 6   | · Valve seat, exhaust  |                         |
| 4   | 477792   | 12  | · Valve guide          | (465157)                |
| 5   | 270575   | 6   | · Copper sleeve kit    |                         |
| 6   | 466404   | 6   | · · Spray sleeve       |                         |
| 7   | 466405   | 6   | · · Rubber ring        |                         |
| 8   | 466420   | 6   | · · Steel ring         |                         |
| 9   | 466922   | 6   | · · O-ring             |                         |
| 10  | 477026   | 14  | · Expansion plug       | D=26mm                  |
| 10A | 947626   | 4   | · Gasket               |                         |
| 11  | 477024   | 8   | · Expansion plug       | D=35mm                  |
| 12  | 465420   | 4   | · Nozzle               |                         |
| 13  | 3825723  | 6   | Inlet valve, intake    | (864467)                |
| 14  | 465549   | 6   | Exhaust valve, exhaust |                         |
| 15  | 465233   | 12  | Valve spring           |                         |
| 16  | 465550   | 12  | Washer                 |                         |
| 17  | 1677875  | 24  | Valve collet           |                         |
| 18  | 465551   | 12  | Protecting ring        |                         |
| 19  | 1665204  | 6   | Bearing bracket        |                         |
| 20  | 471512   | 4   | Stud                   |                         |
| 21  | 471513   | 8   | Screw                  |                         |
| 22  | 465790   | 2   | Rocker arm shaft       |                         |
| 23  | 955083   | 4   | Cap plug               |                         |
| 24  | 420132   | 6   | Rocker arm, exhaust    |                         |
|     | 420129   | 6   | Rocker arm, intake     |                         |
| 25  | 420125   | 12  | · Bushing              |                         |
| 26  | 422993   | 12  | · Ball stud            |                         |
| 27  | 940175   | 12  | · Nut                  |                         |
| 28  | 411139   | 4   | Spring                 |                         |
| 29  | 914456   | 4   | Lock ring              |                         |
| 30  | 400722   | 4   | Washer                 |                         |
| 31  | 276821   | 2   | Gasket kit             | SEE GROUP 99            |
| 32  |          | 2   | Gasket                 | Included in gasket kit. |
| 33  | 465784   | 12  | Sealing ring           | I.D.=26mm               |
|     | 466421   | 16  | Sealing ring           | I.D.=16mm               |
|     | 422413   | 2   | Sealing ring           | I.D.=11mm               |
| 34  | 465840   | 40  | Screw                  |                         |
| 35  | 465951   | 1   | Valve cover            |                         |
| 36  | 465950   | 1   | Valve cover            |                         |
| 37  | 465961   | 4   | Nut                    |                         |
| 38  | 471856   | 4   | Sealing ring           |                         |
| 39  | 465952   | 2   | Gasket                 |                         |
| 40  | 421753   | 1   | Oil filler cap         |                         |
| 40A | 955126   | 3   | · Screw                |                         |
| 41  | 940096   | 1   | Gasket                 |                         |