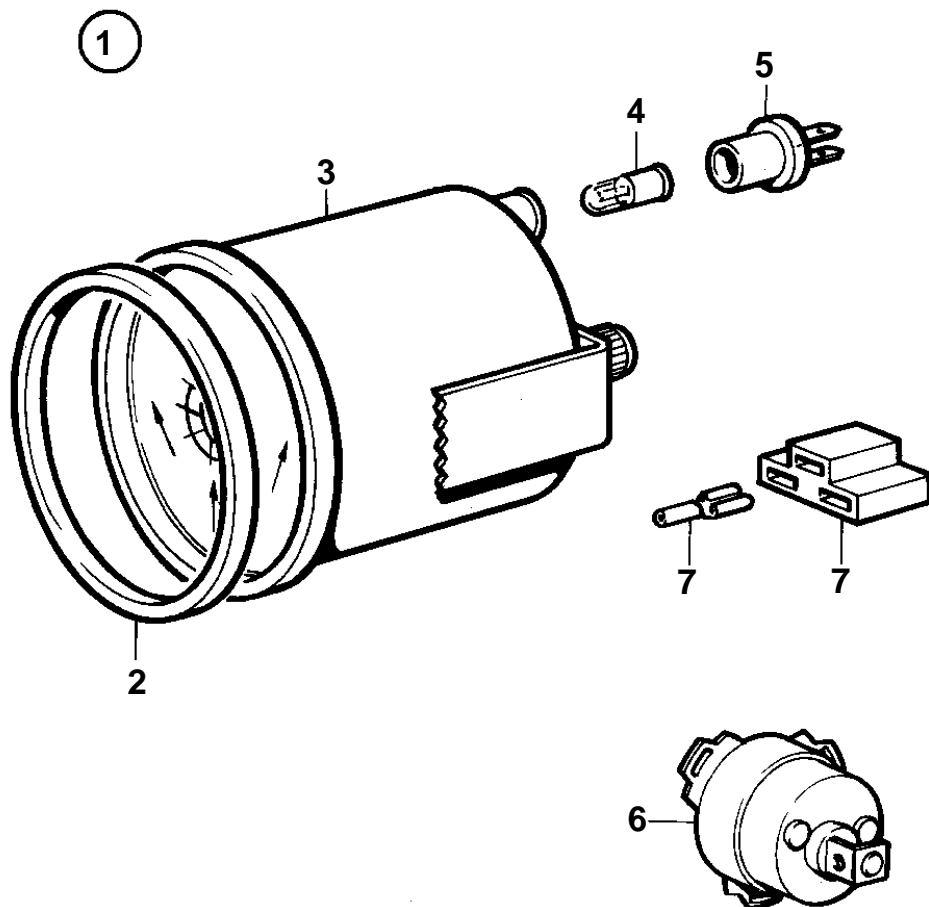


COMMON



10036

COMMON

REF	PART NO.	QTY	DESCRIPTION	SEE SEC.
1	1140465	1	Rudder indicator kit	
2	858643	1	· Front ring	
3	863944	1	· Rudder indicator	
4	863946	1	· · Bulb	
5	863945	1	· · Bulb socket	
6	837772	1	· Position sensor	
7		X	· Cables and terminals	124