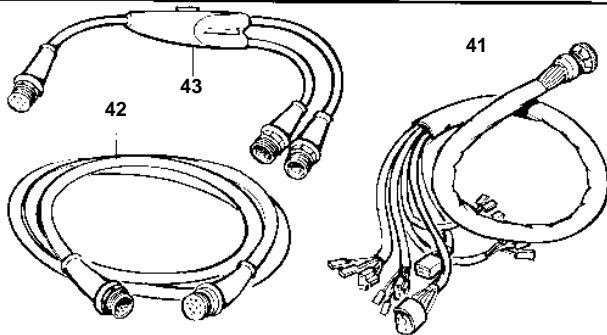
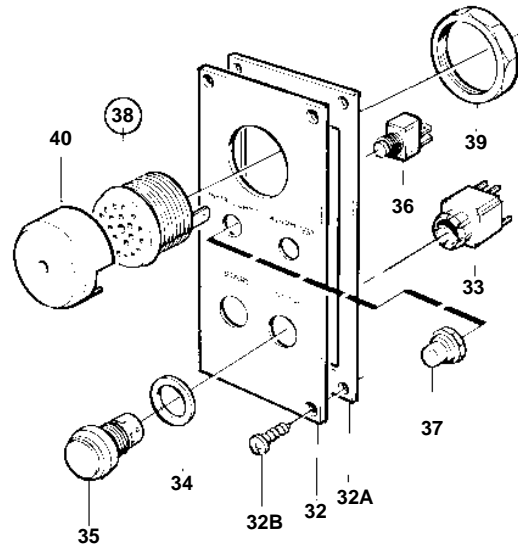
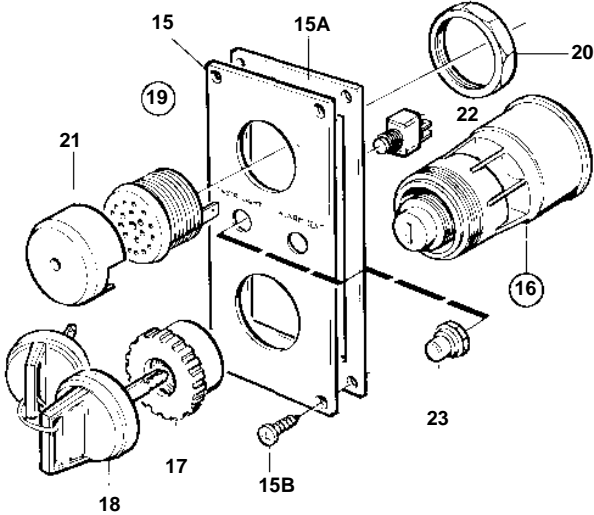
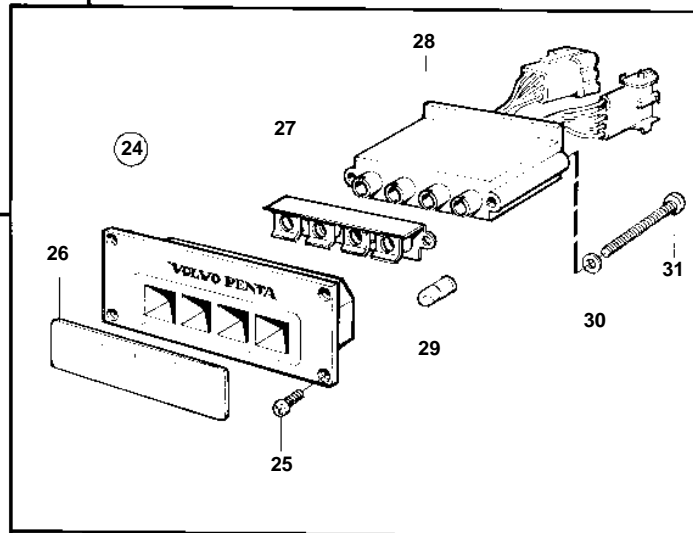
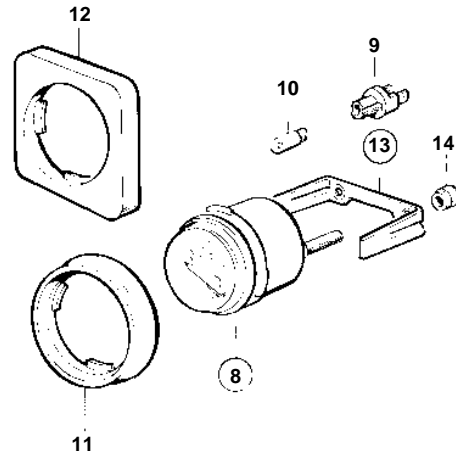
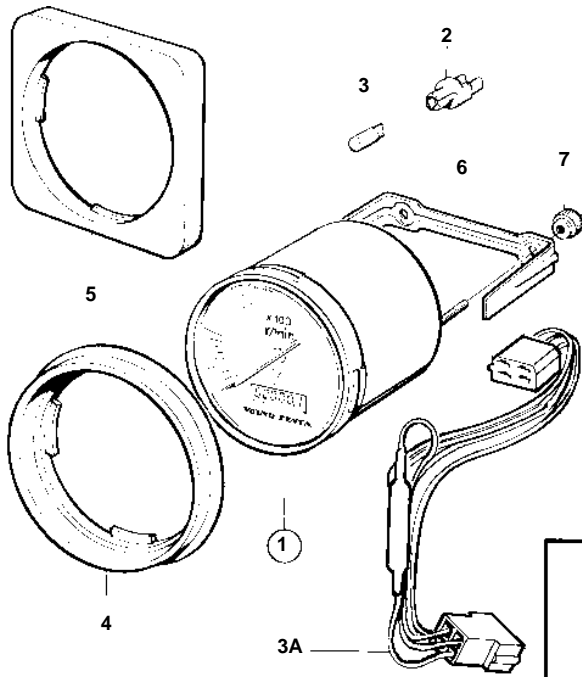


COMMON



16152

COMMON

REF	PART NO.	QTY	DESCRIPTION	SEE SEC.	NOTES
1	873586	1	Rev counter kit		REPLACED BY 876750. Replaced by 1 ea tachometer kit 876750.
1	876750	1	Rev counter kit		3400 RPM
2	863945	1	• Bulb socket		
3	863946	1	• Bulb		12V, 1,2W RED
3A	873695	1	• Diode cable		
4	873517	1	Front ring		ALT, D=75mm
5		1	Instrument frame		ALT, D=75mm
6	873208	1	Retainer		
7		2	• Nut		
8	873195	1	Temperature gauge		40-120°C
	873197	1	Oil pressure gauge		10x100kPa
	873201	1	Oil pressure gauge, reverse gear		30x100kPa
	873199	1	Voltmeter		
	873205	1	Turbo pressure gauge		
9	863945	1	• Bulb socket		
10	863946	1	• Bulb		
11	858643	1	Front ring		ALT, D=52mm
12	856822	1	Instrument frame		ALT, D=52mm
13	873207	1	Retainer		
14		2	• Nut		
15	873271	1	Panel		
15A	873273	1	Gasket		
15B	828647	4	Screw		
16	864277	1	Starter switch		
17	859955	1	• Plastic nut		
18	859953	2	• Key	SO	State key code when ordering.
			• Bulletin 49-30	49-30-EN	Key P/N 859953
19	828587	1	Buzzer		
20		1	• Nut		
21	858795	1	Protecting casing		
22	828584	1	Switch		ALARM TEST
	828585	1	Switch		INSTR. LIGHT
23	828586	2	Nut		
24	858876	1	Symbol panel		
25	858645	1	• Symbol strip		
26	828647	4	• Screw		
27	828784	1	Reflector		
28	873209	1	Electronic unit		
29	19923	4	Bulb		
30	941904	2	Spring washer		
31	941615	2	Screw		
32	873272	1	Panel		
32A	873273	1	Gasket		
32B	828647	4	Screw		
33	873274	1	Push button		START, GREEN
	873275	1	Push button		STOP, RED
34		2	• Gasket		
35		2	• Push button		
36	828584	1	Switch		ALARM TEST
	828585	1	Switch		INSTR. LIGHT
37	828586	2	Nut		
38	828587	1	Buzzer		

COMMON

REF	PART NO.	QTY	DESCRIPTION	SEE SEC.	NOTES
39		1	• Nut		
40	858795	1	Protecting casing		
41	873579	1	Wiring harness		MAIN STATION
	873580	1	Wiring harness		FLY BRIDGE
42	846648	X	Extension cable		L=3,0m
	846649	X	Extension cable		L=5,0m
	846650	X	Extension cable		L=7,0m
43	1140598	X	Y-koppling		