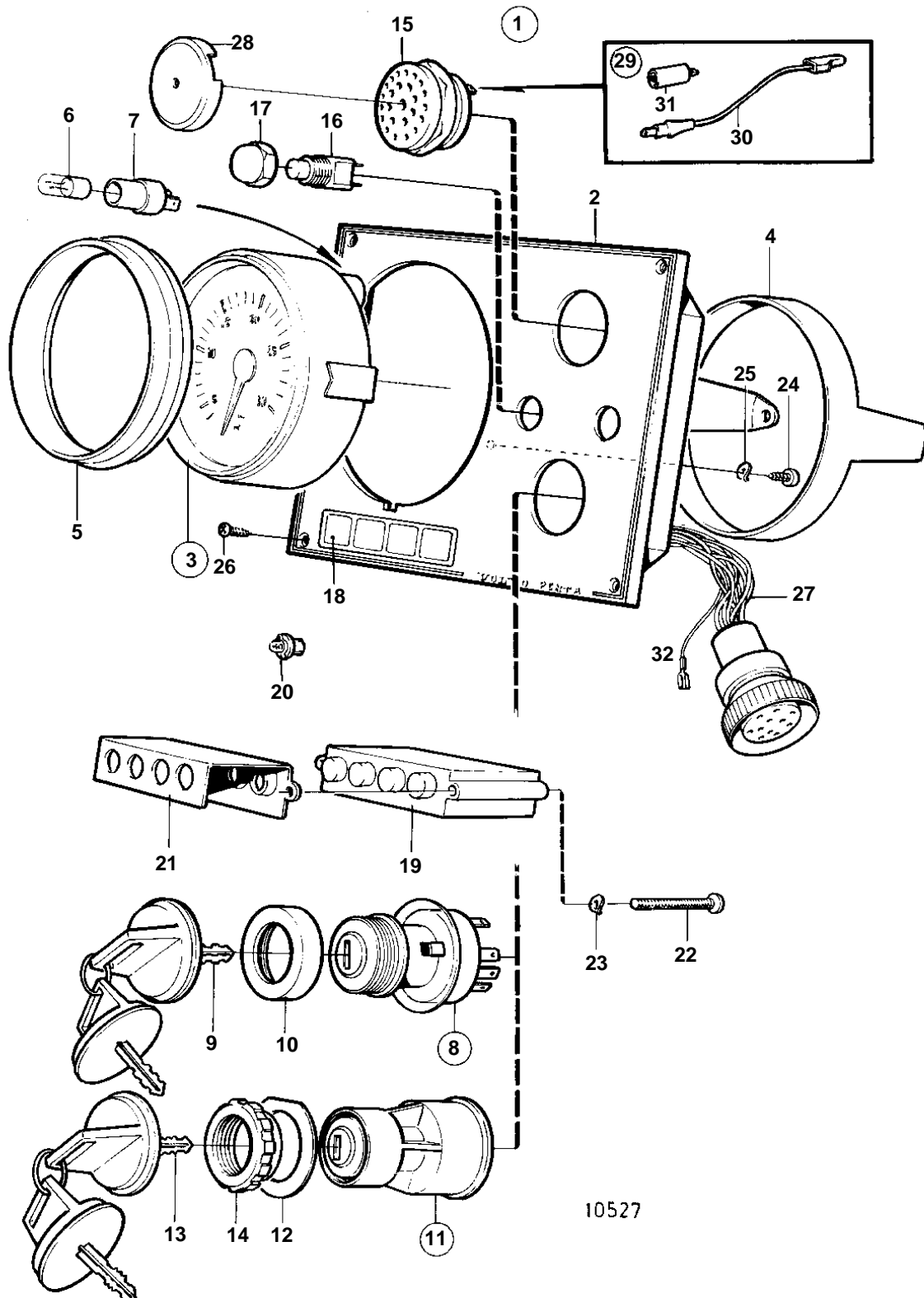


COMMON



COMMON

REF	PART NO.	QTY	DESCRIPTION	SEE SEC.	NOTES
1	864048	1	Instrument panel		REPLACED BY 873592. White coloured stripe.
2	860183	1	• Instrument panel		
3	872040	1	• Instrument		
4	828558	1	• • Attaching ring		
5	858644	1	• Front ring		
6	182059	1	• Bulb		
7	808175	1	• Bulb socket		
11	864277	1	• Starter switch		
13	859953	2	• • Key	SO	State key code when ordering.
			• • Bulletin 49-30	49-30-EN	Key P/N 859953
14	859955	1	• • Plastic nut		
15	828587	1	• Buzzer		
16	828584	1	• Switch		ALARM TEST
	828585	1	• Switch		INSTR. LIGHT
17	828586	2	• Nut		
18	858645	1	• Symbol strip		
19	873209	1	• Electronic unit		(828783)
20	966327	4	• Lamp		24V, 1,2W (828818)
21	828784	1	• Reflector		
22	941615	2	• Screw		
23	941904	2	• Spring washer		
24	949947	1	• Screw		
25	941904	1	• Spring washer		
26	828647	4	• Screw		
27	828648	1	• Cable kit		
28	858795	1	• Protecting casing		
29	859427	1	Diode kit		
30		1	• Cable kit		
31	1578857	4	• Diode		
32		X	Cables and terminals	124	