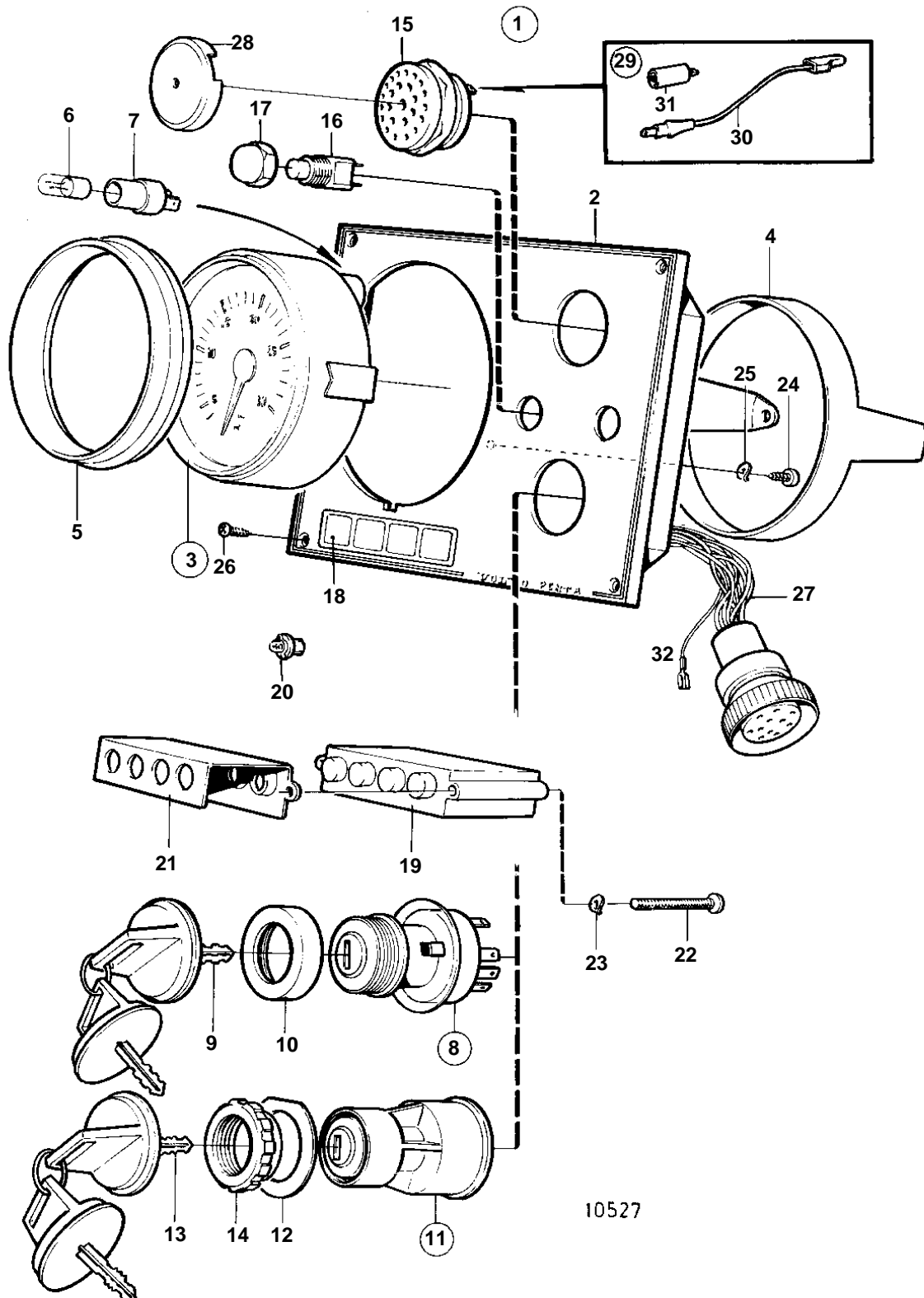


COMMON



COMMON

REF	PART NO.	QTY	DESCRIPTION	SEE SEC.	NOTES
1	847977	1	Instrument panel		REPLACED BY 849937. Gold coloured stripe.
2	860183	1	· Instrument panel		
3	872040	1	· Instrument		
4	828558	1	· · Attaching ring		
5	858644	1	· Front ring		
6	182059	1	· Bulb		
7	808175	1	· Bulb socket		
8	828778	1	· Starter switch		REPLACED BY 864277
9	828676	1	· · Key	SO	State key code when ordering.
10	1581184	1	· Round nut		
11	864277	1	· Starter switch		
12	860086	1	· · Marking label		
13	859953	2	· · Key	SO	State key code when ordering.
			· · Bulletin 49-30	49-30-EN	Key P/N 859953
14	859955	1	· · Plastic nut		
15	828587	1	· Buzzer		
16	828584	1	· Switch		ALARM TEST
	828585	1	· Switch		INSTR. LIGHT
17	828586	2	· Nut		
18	858645	1	· Symbol strip		
19	873209	1	· Electronic unit		(828783)
20	966327	4	· Lamp		24V, 1,2W (828818)
21	828784	1	· Reflector		
22	941615	2	· Screw		
23	941904	2	· Spring washer		
24	949947	1	· Screw		
25	941904	1	· Spring washer		
26	828647	4	· Screw		
27	828648	1	· Cable kit		
28	858795	1	· Protecting casing		
32		X	Cables and terminals	124	