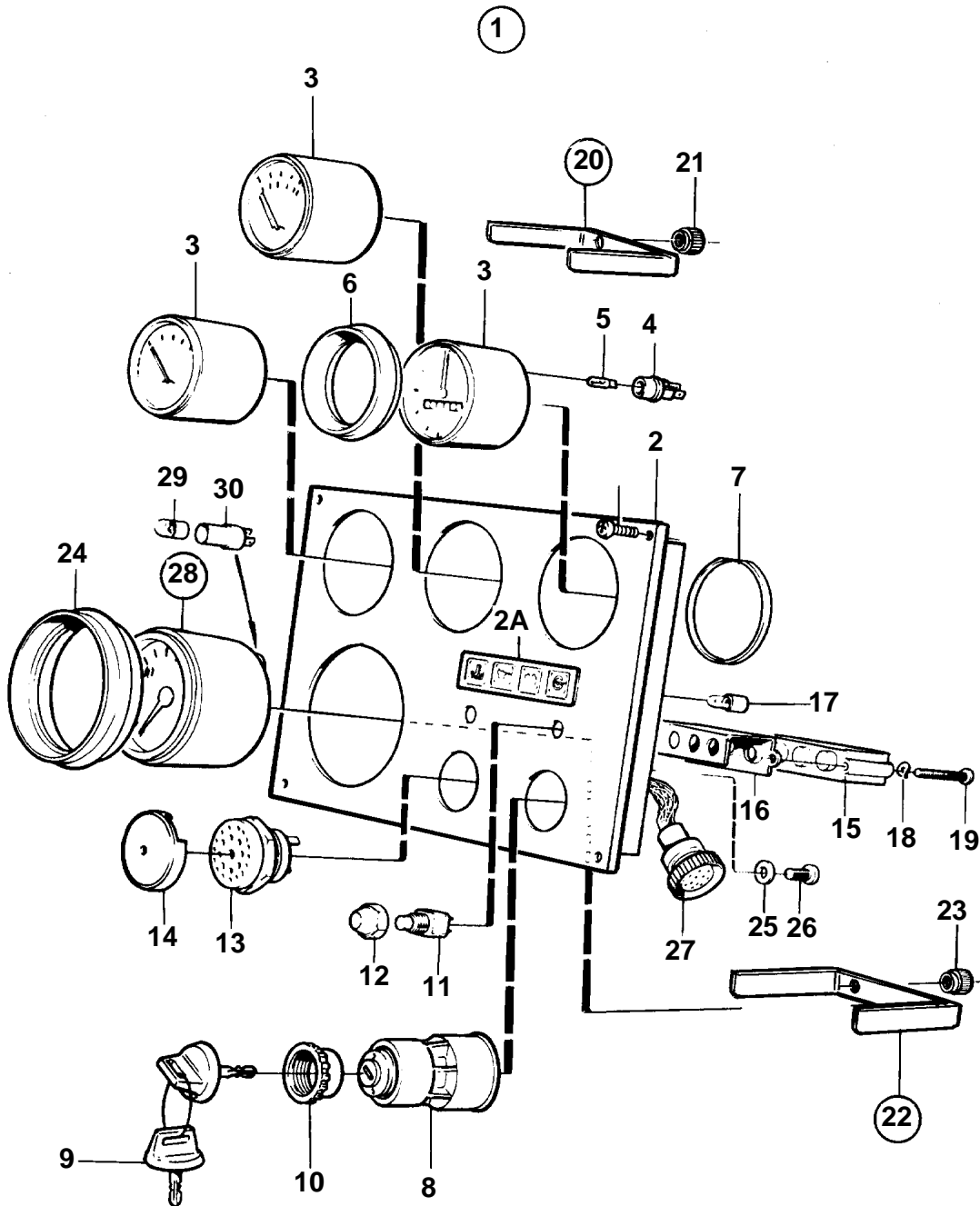


COMMON



COMMON

| REF | PART NO. | QTY | DESCRIPTION | SEE SEC. | NOTES |
|-----|----------|-----|----------------------|----------|-------------------------------|
| 1 | 873591 | 1 | Instrument panel | | |
| 2 | 860182 | 1 | • Instrument panel | | |
| 2A | 858645 | 1 | • Symbol strip | | |
| 3 | 873196 | 1 | • Temperature gauge | | |
| | 873198 | 1 | • Oil pressure gauge | | |
| | 873200 | 1 | • Voltmeter | | |
| 4 | 863945 | 3 | • • Bulb socket | | |
| 5 | 863947 | 3 | • • Bulb | | |
| 6 | 858643 | 3 | • Front ring | | D=52mm |
| 7 | 828803 | 3 | • Ring | | |
| 8 | 864277 | 1 | • Starter switch | | |
| 9 | 859953 | 2 | • • Key | SO | State key code when ordering. |
| | | | • • Bulletin 49-30 | 49-30-EN | Key P/N 859953 |
| 10 | 859955 | 1 | • • Plastic nut | | |
| 11 | 828584 | 1 | • Switch | | TEST ALARM |
| | 828585 | 1 | • Switch | | INSTR. LIGHT |
| 12 | 828586 | 2 | • Nut | | |
| 13 | 828587 | 1 | • Buzzer | | |
| 14 | 858795 | 1 | • Protecting casing | | |
| 15 | 873209 | 1 | • Electronic unit | | |
| 16 | 828784 | 1 | • Reflector | | |
| 17 | 828818 | 4 | • Bulb | | 24V |
| 18 | 941904 | 2 | • Spring washer | | |
| 19 | 941615 | 2 | • Screw | | |
| 20 | 873207 | 3 | • Retainer | | |
| 21 | | 6 | • • Nut | | |
| 22 | 873208 | 1 | • Retainer | | |
| 23 | | 2 | • • Nut | | |
| 24 | 873517 | 1 | • Front ring | | D=72mm |
| 25 | 941904 | 1 | • Spring washer | | |
| 26 | 949947 | 1 | • Screw | | |
| 27 | 828646 | 1 | • Cable trunk | | |
| 28 | | 1 | Rev counter kit | | 3400 RPM, D60,70 |
| 29 | 863947 | 1 | • Bulb | | 24V |
| 30 | 863945 | 1 | • Bulb socket | | |