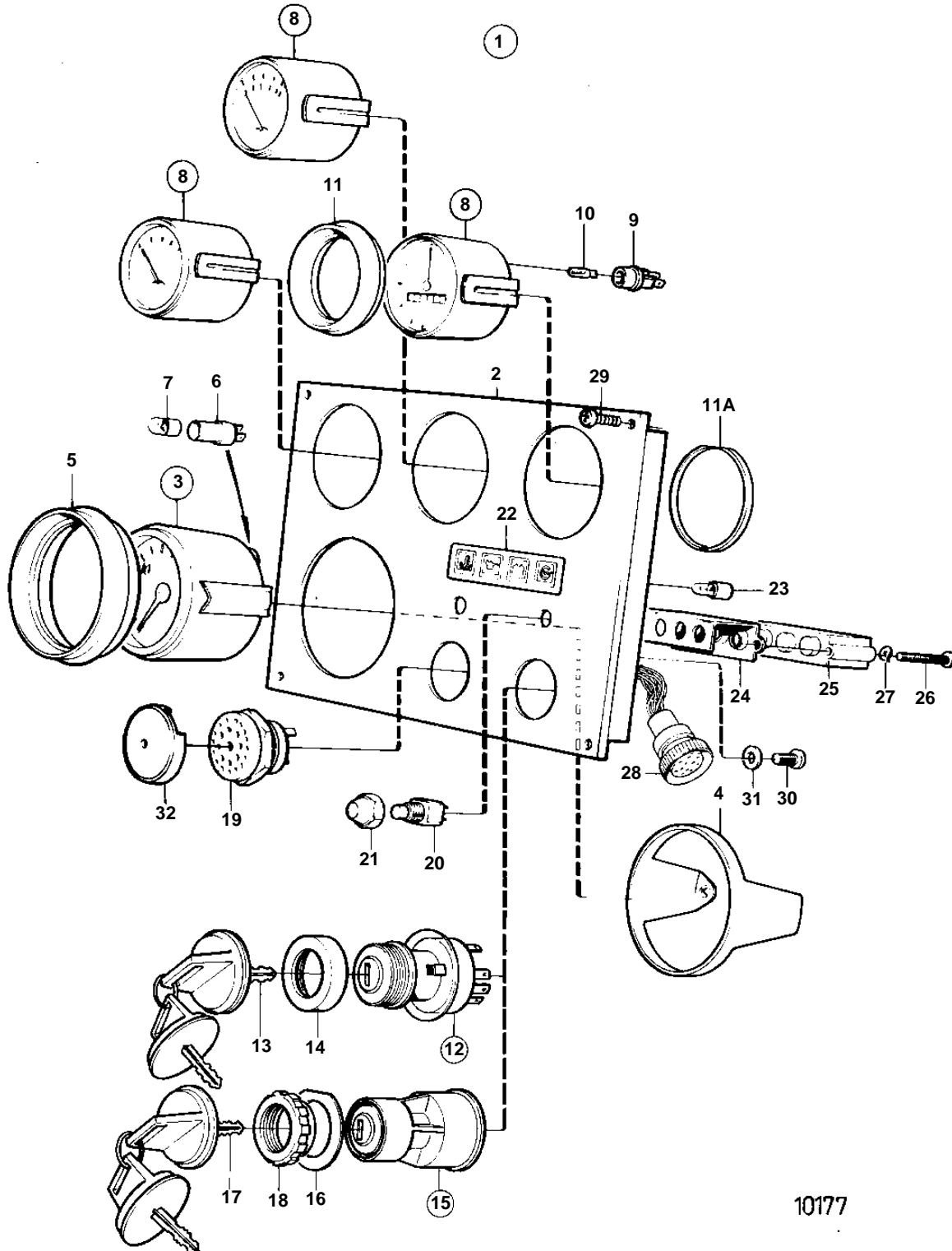


TAMD61A



10177

TAMD61A

REF	PART NO.	QTY	DESCRIPTION	SEE SEC.	NOTES
1	848998	1	Instrument panel		REPLACED BY 849936. Gold coloured stripe.
2	828588	1	• Instrument panel		
3	872039	1	• Tachometer		
4	828558	1	• • Attaching ring		
5	858644	1	• • Front ring		
6	808175	1	• Bulb socket		Fits bulb with base BA 7S.
7	19923	1	• Bulb		12V, 2W BA7S
8	863932	1	• Thermometer		
	863934	1	• Oil pressure gauge		For bulb with base W2X4,6d.
	873199	1	• Voltmeter		(863930)
9	863945	3	• • Bulb socket		For bulb with base W2X4,6d.. For instrument of earlier production should white bulb 19923 and socket 808175 be mounted.
10	863946	3	• • Bulb		RED, 12V, 2W W2x4,6d. For instrument of earlier production should white bulb 19923 and socket 808175 be mounted.
11	858643	3	• Front ring		
11A	828803	3	• Ring		
12	828778	1	• Starter switch		REPLACED BY 864277
13	828676	2	• • Key	SO	State key code when ordering.
14	1581184	1	• Round nut		
15	864277	1	• Starter switch		
16	860086	1	• • Marking label		
17	859953	2	• • Key	SO	State key code when ordering.
			• • Bulletin 49-30	49-30-EN	Key P/N 859953
18	859955	1	• • Plastic nut		
19	828587	1	• Buzzer		
20	828584	1	• Switch		ALARM TEST
	828585	1	• Switch		INSTR. LIGHT
21	828586	2	• Nut		
22	858645	1	• Symbol strip		
23	19923	4	• Bulb		
24	828784	1	• Reflector		
25	873209	1	• Electronic unit		(828783)
26	941615	2	• Screw		
27	941904	2	• Spring washer		
28	828646	1	• Cable trunk		
29	828647	4	• Screw		
30	949947	1	• Screw		
31	941904	1	• Spring washer		
32	858795	1	• Protecting casing		