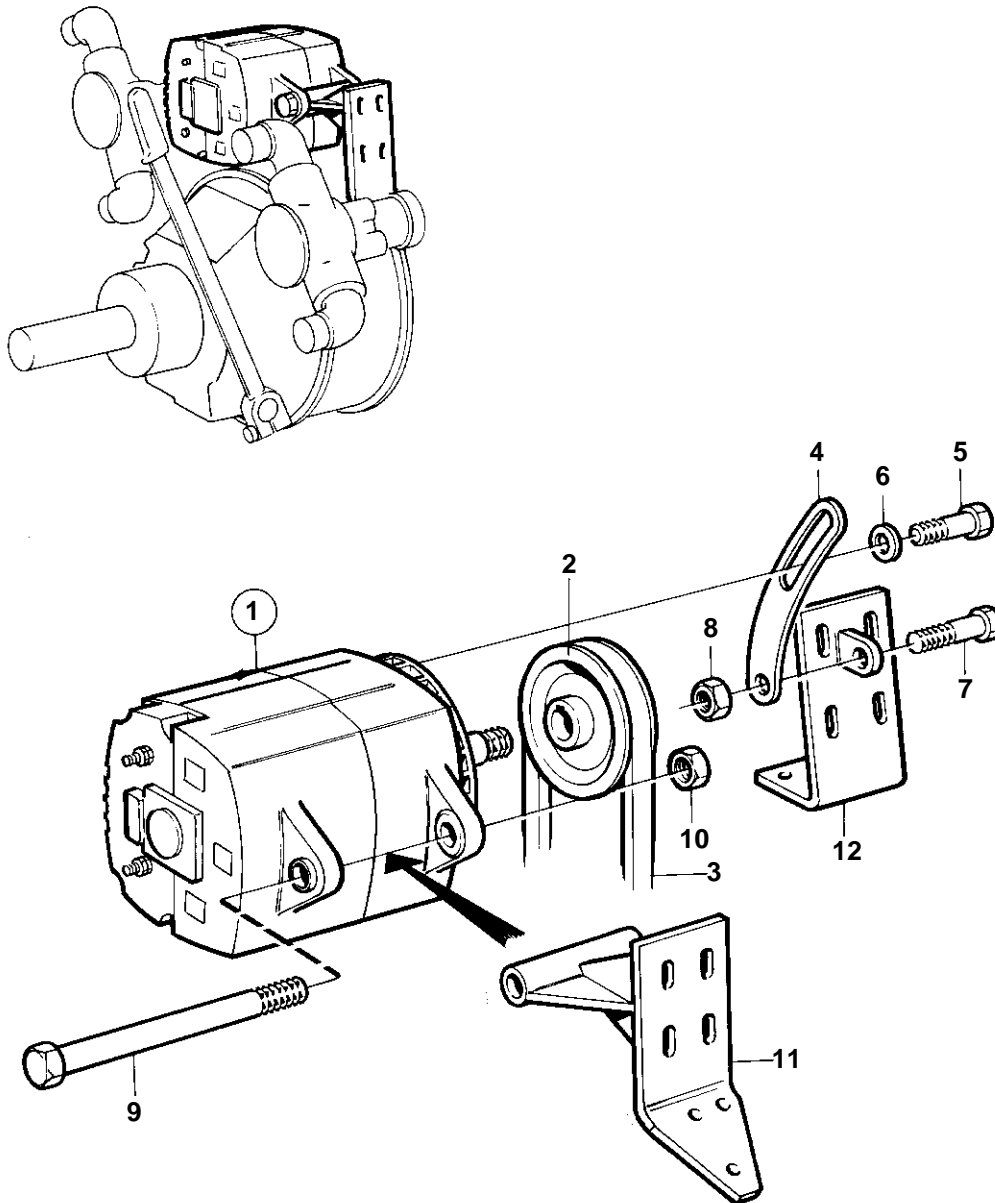


TAMD61A



8784

TAMD61A

REF	PART NO.	QTY	DESCRIPTION	SEE SEC.	NOTES
1	849747	1	Alternator		14V 130A
	3803577	1	Alternator,exch		Exchange unit
				594	
	849748	1	Alternator		28V 100A
	3803499	1	Alternator,exch		Exchange unit
				596	
2	862355	1	Pulley		
3	966858	1	V-belt kit		L=1300
4	848492	1	Tensioner		
5	955560	1	Screw		
6	955898	1	Washer		
7	973083	1	Flange screw		
8	971095	1	Nut		
9	970987	1	Screw		
10	971096	1	Nut		
11	849377	1	Bracket	SO 854	
12	849378	1	Bracket	856	