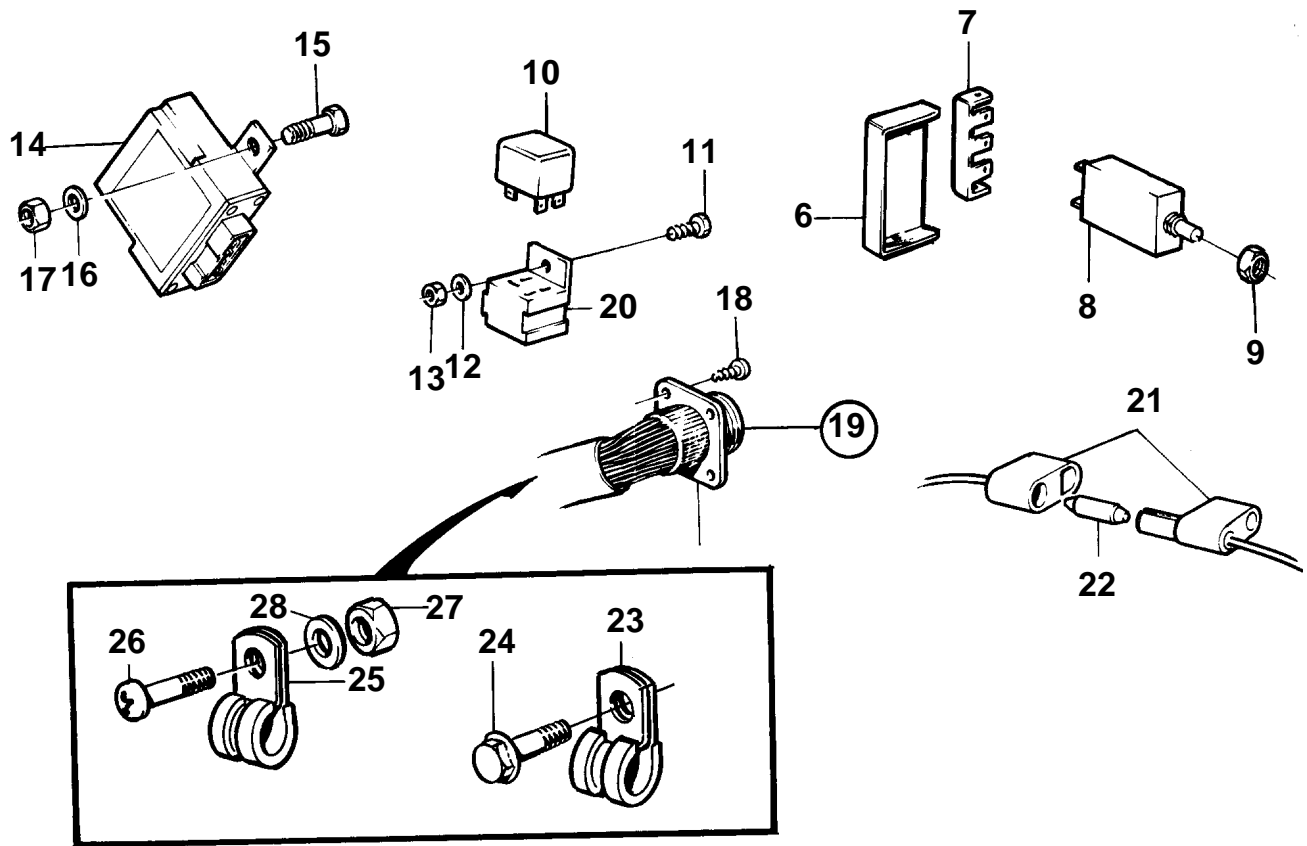
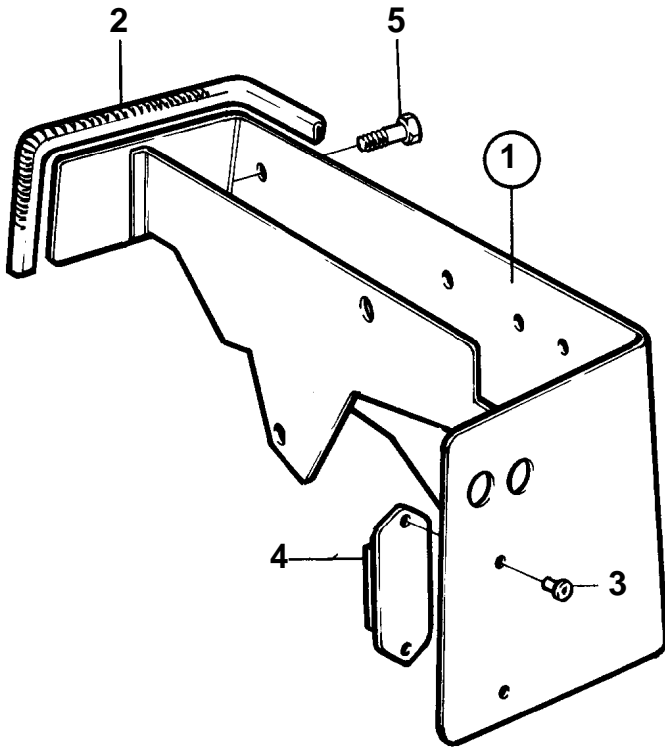


TAMD62A



TAMD62A

REF	PART NO.	QTY	DESCRIPTION	SEE SEC.	NOTES
1	864500	1	Electrical distribut		REPLACED BY 876679
	876679	1	Conversion kit	1601	TAMD62A TAMD72A
2	1214306	X	· Protecting moulding		
3	942670	2	· Rivet		
4	1234048	1	· Lower section		
5	967949	3	Screw		
6	1234264	1	Upper section		
7	1234263	1	Pin		
8	966689	2	Fuse		
9		2	· Nut		
10	876039	2	Relay kit		12V START-STOP
	8153600	2	Relay		24V START-STOP,(1504951)
11	967378	2	Screw		
12	941905	2	Spring washer		
13	955780	2	Nut		
14	863481	1	Timer relay		
15	967390	2	Screw		
16	941906	4	Spring washer		
17	955781	4	Nut		
18	945761	4	Screw		
19	862860	1	Cable trunk		ENGINE
20	977184	2	Tab housing		(946556)
21	966334	1	Fuse holder		
22	942785	1	Fuse		12V, 16A
	11433	1	Fuse		28V, 8A
23	952635	2	Clamp		25,4mm
24	967949	2	Screw		L=12mm
25	952630	1	Clamp		17,5mm
26	967390	1	Screw		
27	955781	1	Nut		
28	941906	1	Spring washer		