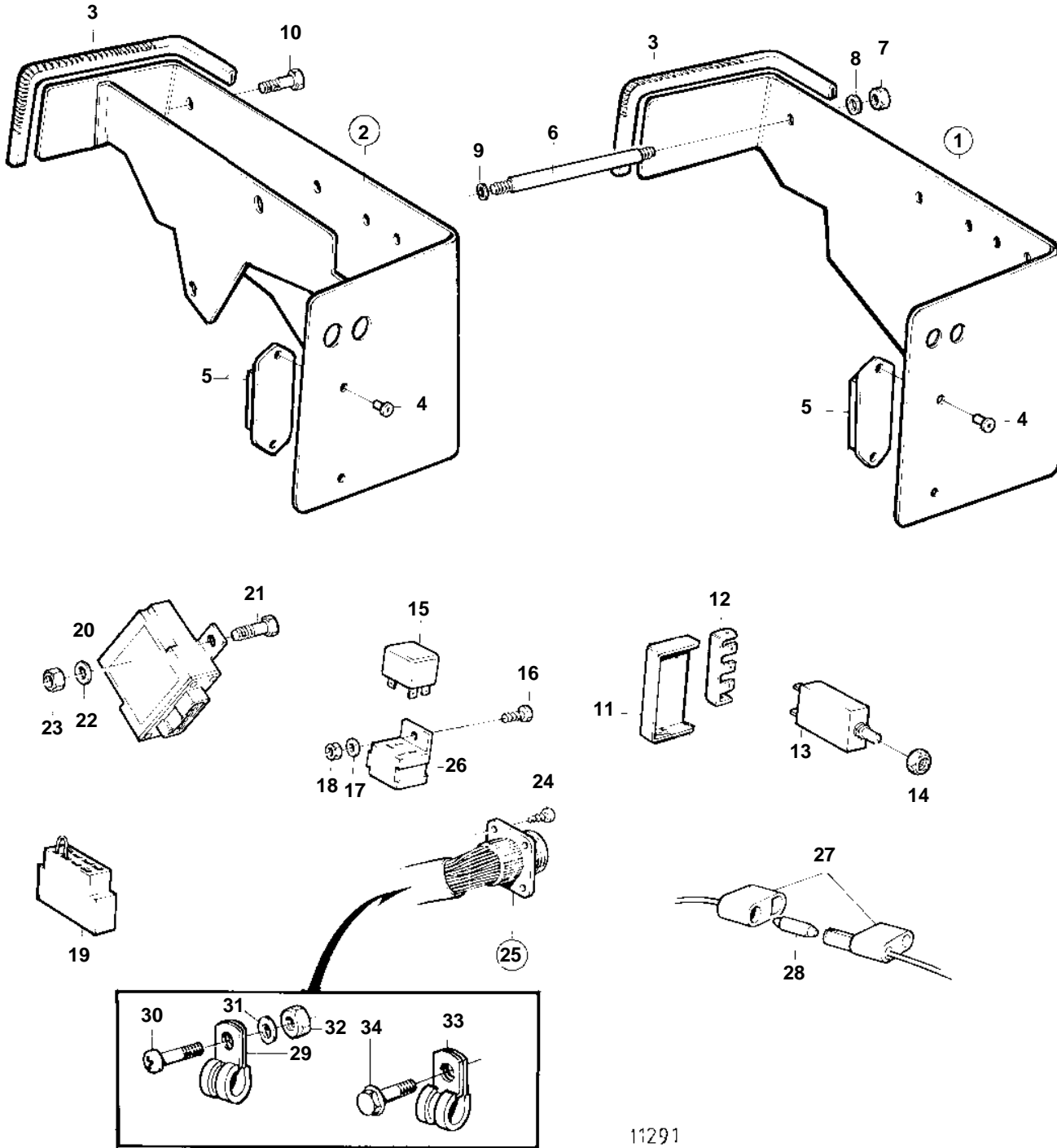


TAMD61A



11291

## TAMD61A

REF	PART NO.	QTY	DESCRIPTION	SEE SEC.	NOTES
1	848522	1	Electrical distribut		REPLACED BY 864500
2	864500	1	Electrical distribut		REPLACED BY 876679
	876679	1	Conversion kit	1601	
3	1214306	X	· Protecting moulding		
4	942670	2	· Rivet		
5	1234048	1	· Lower section		
6	849532	1	Stud		L=97mm
	849531	1	Stud		L=113mm
7	963105	2	Nut		
8	955892	2	Washer		
9	941906	2	Spring washer		
10	967949	3	Screw		
11	1234264	1	Upper section		
12	1234263	1	Pin		
13	966689	2	Fuse		
14		2	· Nut		
15	876039	2	Relay kit		12V START-STOP
	8153600	2	Relay		24V START-STOP,(1504951)
16	967378	2	Screw		
17	941905	2	Spring washer		
18	955780	2	Nut		
19	863362	1	Cable kit		EARLY TYPE REPLACED BY 863481
20	863481	1	Timer relay		
21	967390	2	Screw		
22	941906	4	Spring washer		
23	955781	2	Nut		
24	945761	4	Screw		
25	862860	1	Cable trunk		ENGINE
26	977184	2	· Tab housing		(946556)
27	966334	1	· Fuse holder		
28	942785	1	Fuse		12V, 16A
	11433	1	Fuse		24V, 8A
29	952629	1	Clamp		
30	967390	1	Screw		
31	941906	1	Spring washer		
32	955781	1	Nut		
33	952635	2	Clamp		
34	967949	2	Screw		