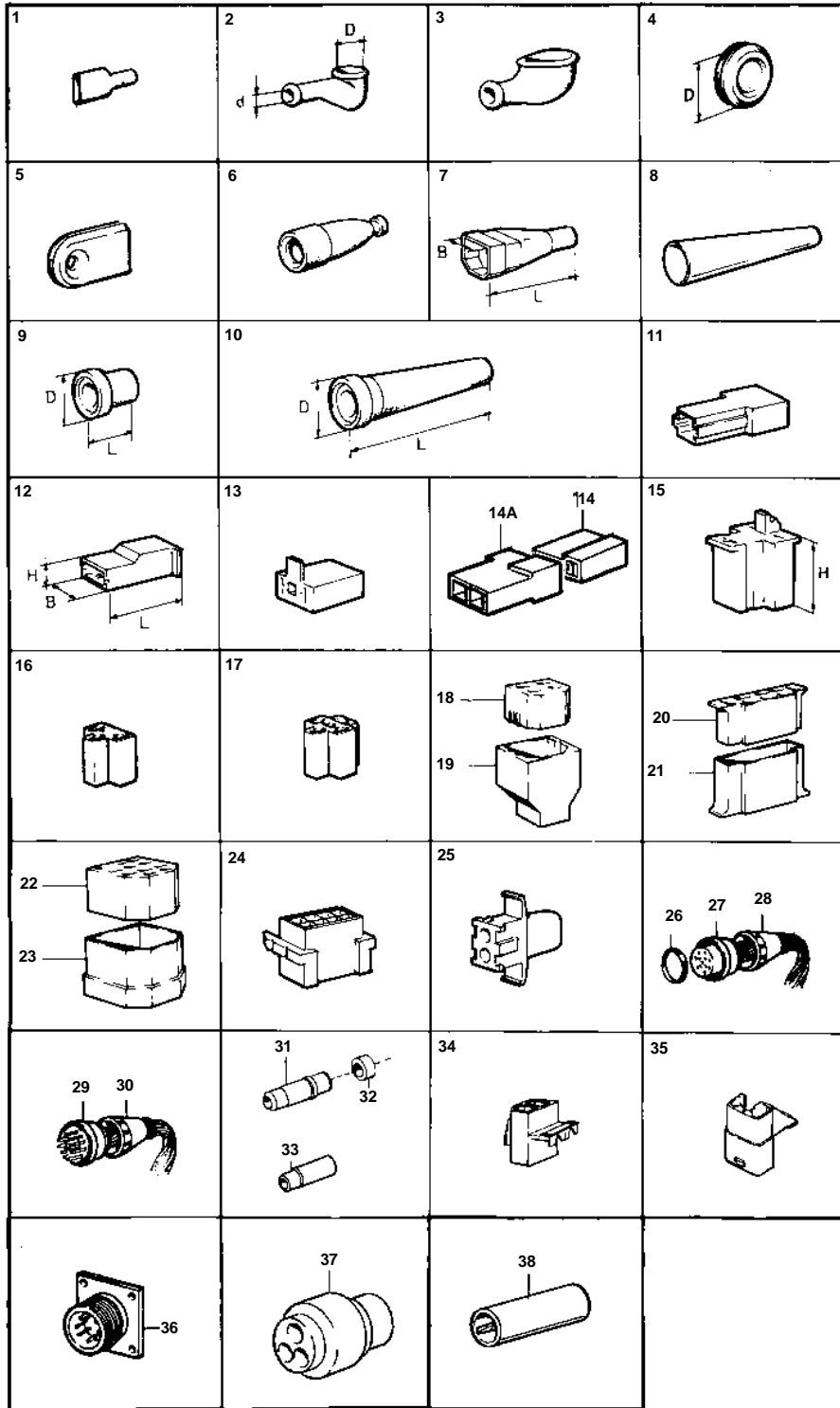


COMMON



15570

COMMON

REF	PART NO.	QTY	DESCRIPTION	NOTES
1	959046	X	Protecting sleeve	I.D=9mm
2		X	Rubber cap	D=16mm D=14mm
	829200	X	Protective cap	D=16mm D=6mm
	76614	X	Rubber collar	D=12mm D=6mm
	842150	X	Protective cap	D=16mm D=10mm
	673580	X	Rubber collar	D=24mm d=11mm
3		X	Protective cap	
4	941269	X	Cable grommet	D=25mm
	821053	X	Rubber bushing	D=35mm
5	823759	X	Cable grommet	
6		X	Bellows	
		X	Bellows	
7		X	Protective cap	L=88mm B=32,5mm
8		X	Isolator	BLACK, FOR 844280
		X	Isolator	RED, FOR 844280
9	847005	X	Sealing collar	L=4,6mm D=3,0mm
10	847005	X	Sealing collar	L=100mm D=20mm
11	958207	X	Tab housing	1-way.
12	947848	X	Receptacle housing	L=20mm H=5,5mm B=7,8mm. 1-way.
		X	Receptacle housing	L=24mm H=7,0mm B=10,2mm. 1-way.
		X	Housing	FOR 958207. 1-way.
	949597	X	Housing	L=24mm H=6,6mm B=10,0mm
	943511	X	Receptacle housing	L=24mm H=6,5mm B=10,0mm. 1-way.
13	1578937	X	Receptacle housing	2-way.
14	958210	X	Receptacle housing	2-way.
14A	958209	X	Tab housing	2-way.
15	945469	X	Receptacle housing	L=23mm. 3-way.
		X	Housing	L=24mm, FOR 881485. 3-way.
16		X	Receptacle housing	3-way.
17	1214948	X	Receptacle housing	5-way.
18	948856	X	Receptacle housing	
19	948855	X	Tab housing	4-way.
20		X	Receptacle housing	8-way.
21	941105	X	Receptacle housing	8-way.
22	945830	X	Receptacle housing	11-way.
23	945831	X	Tab housing	11-way.
24	944077	X	Housing	8-way.
	853014	X	Receptacle housing	For trim instrument. 9-way.
	948294	X	Receptacle housing	9-way.
25	948995	X	Tab housing	2-way.
26	846615	X	Sealing ring	
27	846612	X	Sleeve connector	16-way.
28	846613	X	Unloading cable	
29	846647	X	Pin connector	16-way.
30	846613	X	Unloading cable	
31	1608765	X	Isolator	FOR 965824
32	1608766	X	Seal	FOR 1608765
33	1598753	X	Isolator	FOR 949371
34	1307048	X	Receptacle housing	
35	1307049	X	Tab housing	
36	846611	X	Sleeve connector	
37	853498	X	Receptacle housing	3-way.
38	1624394	X	Diode	