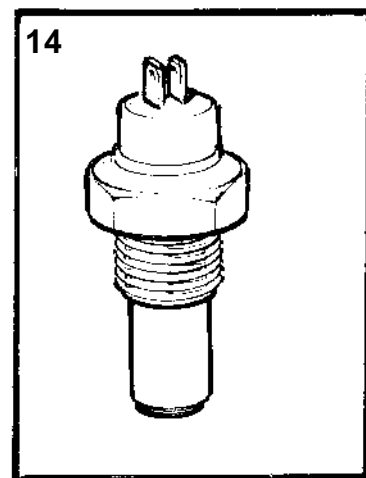
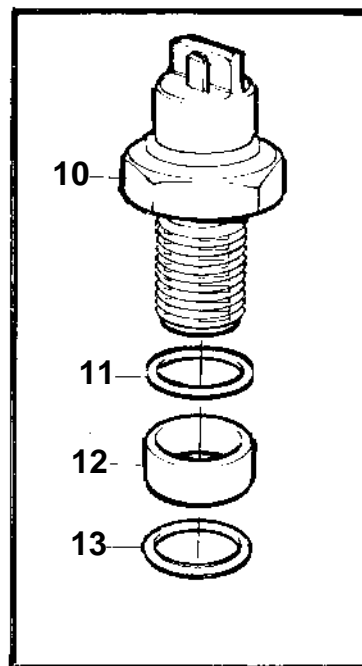
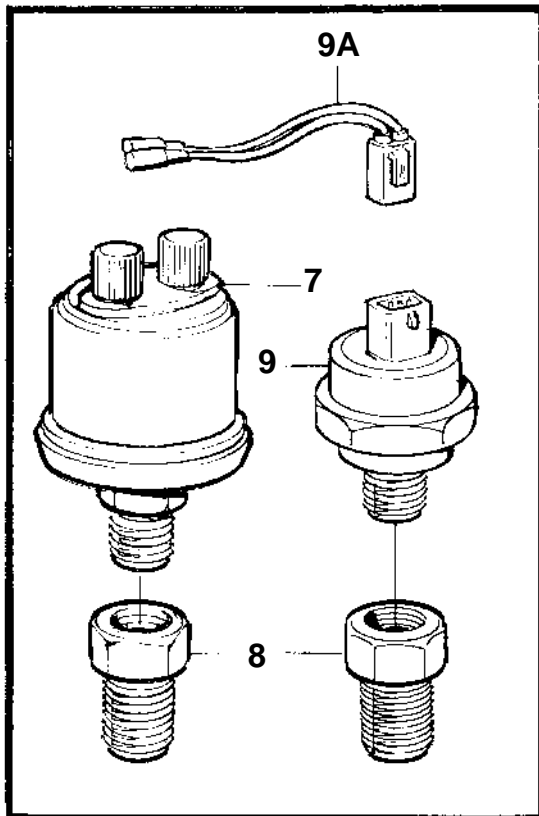
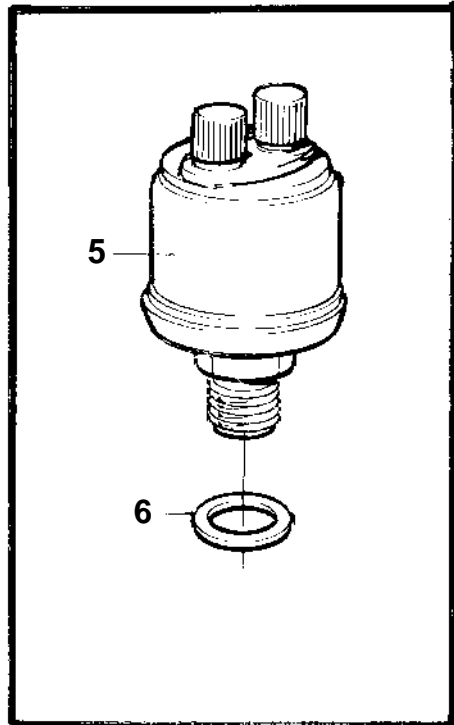
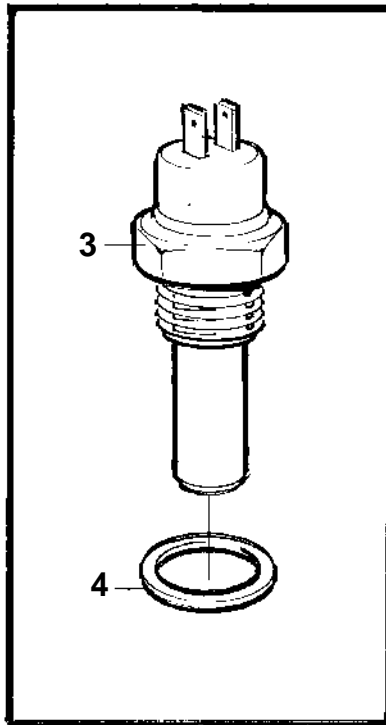
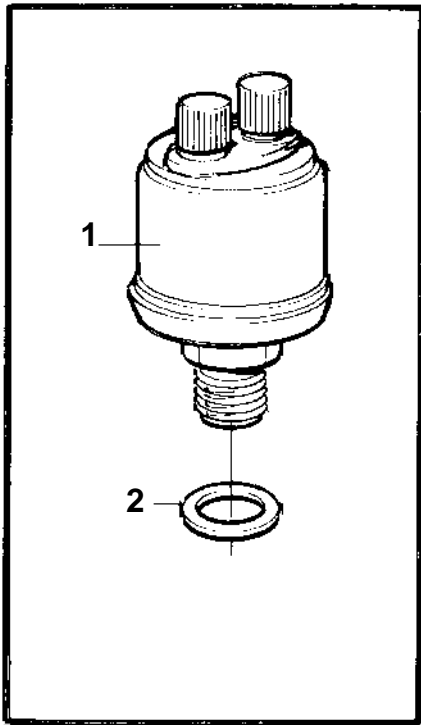


TAMD61A, TAMD62A



TAMD61A, TAMD62A

| REF | PART NO. | QTY | DESCRIPTION | NOTES |
|-----|----------|-----|---|--|
| 1 | 866840 | 1 | Pressure sensor, reverse gear | 0-30bar (837781) |
| 2 | 947624 | 1 | Gasket | |
| 3 | 843325 | 1 | Temperature sensor, coolant water temp. | |
| | 858596 | 1 | Temperature sensor, coolant water temp. | For double steering positions. |
| 4 | 11998 | 1 | Gasket | (947624) |
| 5 | 866838 | 1 | Pressure sensor, turbo | ALT,0-2bar |
| | 872196 | 1 | Pressure sensor, turbo | ALT,0-3bar |
| 6 | 957181 | 1 | Gasket | |
| 7 | 866833 | 1 | Pressure sensor, oil-engine | 0-10bar (843231) |
| | 866834 | 1 | Pressure sensor, oil-engine | 0-10bar (843232). For double steering positions. |
| 8 | 862109 | 2 | Nipple | |
| 9 | 863169 | 1 | Pressure monitor, oil | STOP, 0,7bar (864415) |
| 9A | 873601 | 1 | Cable | |
| 10 | 1502028 | 1 | Tachometer sensor | |
| 11 | 949656 | 1 | O-ring | |
| 12 | 865808 | 1 | Spacer sleeve | L=11,0mm |
| 13 | 949656 | 1 | O-ring | |
| 14 | 862177 | 1 | Thermo monitor, temperature | |