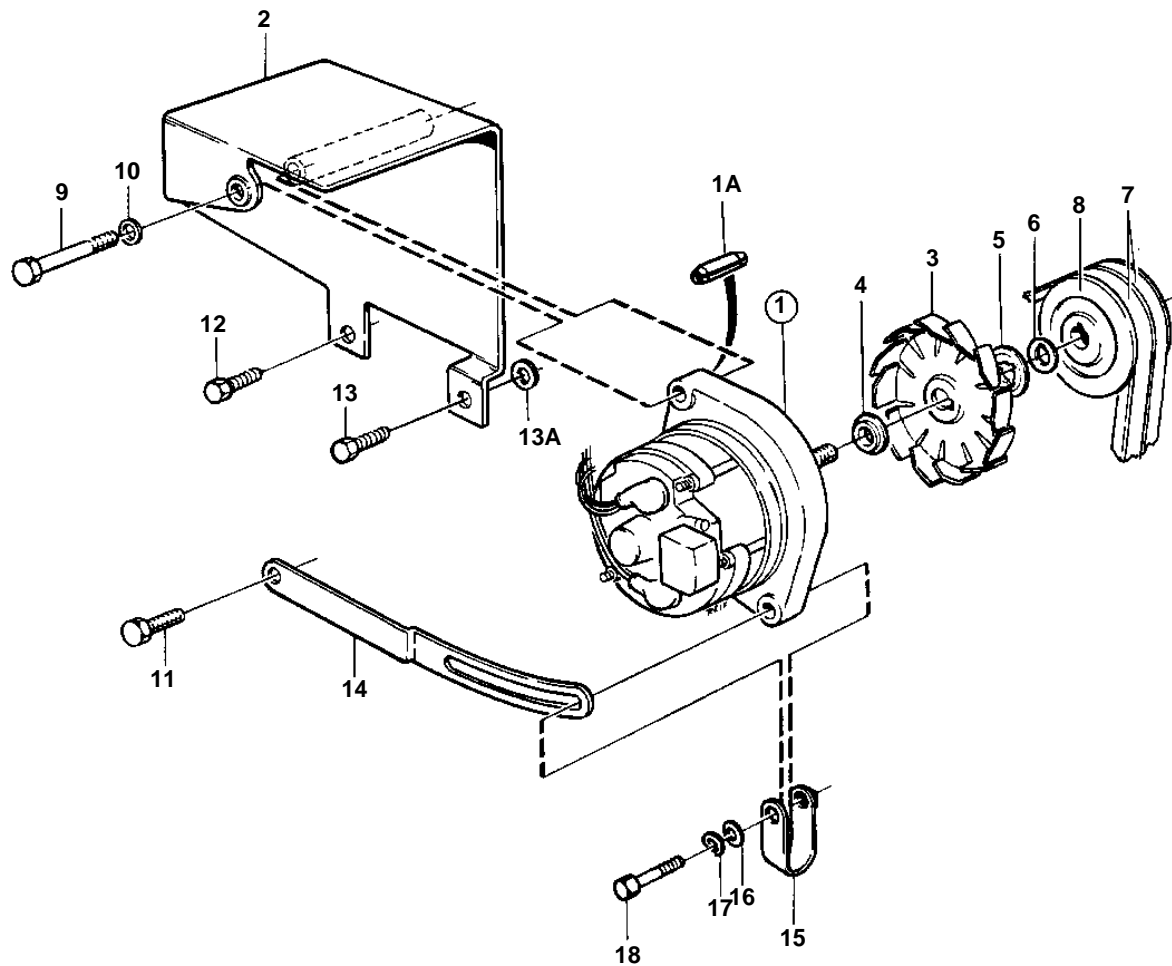


TAMD62A



11222

TAMD62A

| REF | PART NO. | QTY | DESCRIPTION | SEE SEC. | NOTES |
|-----|----------|-----|-------------------|----------|--|
| 1 | 872018 | 1 | Alternator | | REPL BY 872235. For 12 voltage electric system.. Do not use the fan wich is included in complete alternator for engine TAMD61, TAMD62, TAMD71 and TAMD72. Correct fan is stated on the page referred to |
| | | | | 322 | SN-XXXXXXXXXX/86774 |
| | 872235 | 1 | Alternator | | SNXXXXXXXXXX/86775-. For 12 voltage electric system.. Do not use the fan wich is included in complete alternator for engine TAMD61, TAMD62, TAMD71 and TAMD72. Correct fan is stated on the page referred to |
| | 3803260 | 1 | Alternator,exch | | Exchange unit |
| | | | | 448 | |
| | 872021 | 1 | Alternator | | SN1101038359/XXXXX-. For 24 voltage electric system.. Do not use the fan wich is included in complete alternator for engine TAMD61, TAMD62, TAMD71 and TAMD72. Correct fan is stated on the page referred to |
| | | | | 127 | |
| 1A | 1610144 | 1 | Pin | | |
| 2 | 849454 | 1 | Bracket | | |
| 3 | 848971 | 1 | Fan | | 24V |
| | | 1 | Fan kit | | 12V |
| 4 | 862897 | 1 | · Spacer washer | | |
| 5 | | 1 | · Spacer | | |
| 6 | 862898 | 1 | · Washer | | |
| 7 | 967193 | 1 | V-belt kit | | |
| 8 | 849617 | 1 | Pulley | | |
| 9 | 970965 | 1 | Screw | | L=150mm |
| 10 | 941908 | 1 | Spring washer | | |
| 11 | 946173 | 1 | Flange screw | | |
| 12 | 965183 | 1 | Flange screw | | |
| 13 | 965190 | 1 | Screw | | |
| 13A | 960148 | 1 | Washer | | |
| 14 | 830747 | 1 | Tensioner | | |
| 15 | 466734 | 1 | Tensioning eyelet | | |
| 16 | 955894 | 1 | Washer | | |
| 17 | 966674 | 1 | Washer | | (960141) |
| 18 | 947760 | 1 | Flange screw | | |