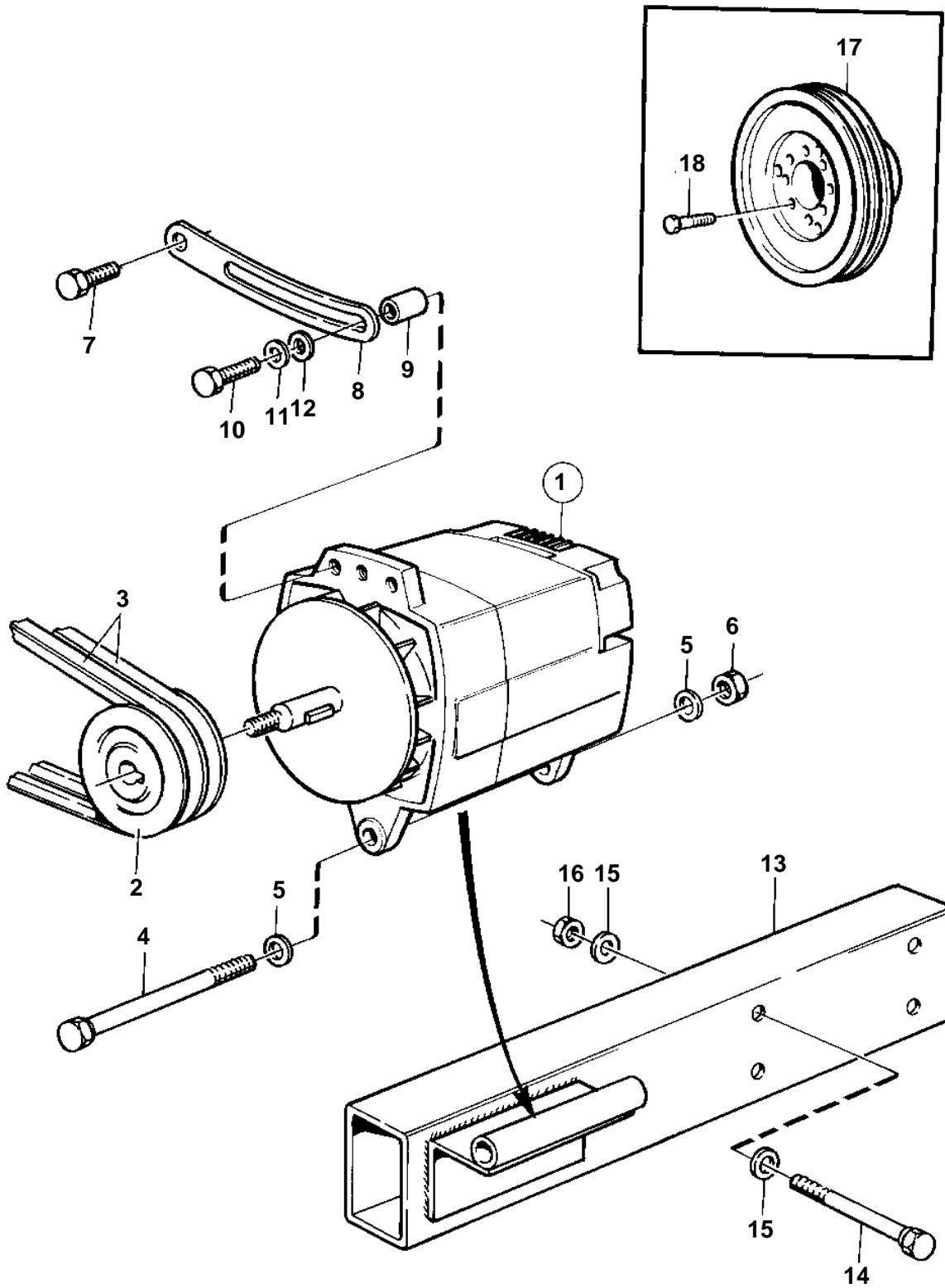


TAMD61A, TAMD62A



10093

**TAMD61A, TAMD62A**

REF	PART NO.	QTY	DESCRIPTION	SEE SEC.	NOTES
1	849747	1	Alternator		14V 130A. For 12 voltage electric system.
	3803577	1	Alternator,exch		Exchange unit
				594	
	849748	1	Alternator		28V 100A. For 24 voltage electric system
	3803499	1	Alternator,exch		Exchange unit
				596	
2	862355	1	Pulley		
3	966391	1	V-belt kit		
4	970987	1	Screw		
5	940280	2	Spring washer		
6	971072	1	Nut		
7	946173	1	Flange screw		
8	848492	1	Tensioner		
9	823196	1	Spacer sleeve		LATE TYPE
10	955559	1	Screw		EARLY TYPE, L=22mm
	955561	1	Screw		LATE TYPE, L = 32mm
11	940280	1	Spring washer		
12	955898	1	Washer		
13	848817	1	Bracket		
14	970956	4	Screw		
15	960143	8	Washer		
16	971071	4	Nut		
17	848378	1	Pulley	597	
18	465840	8	Screw		