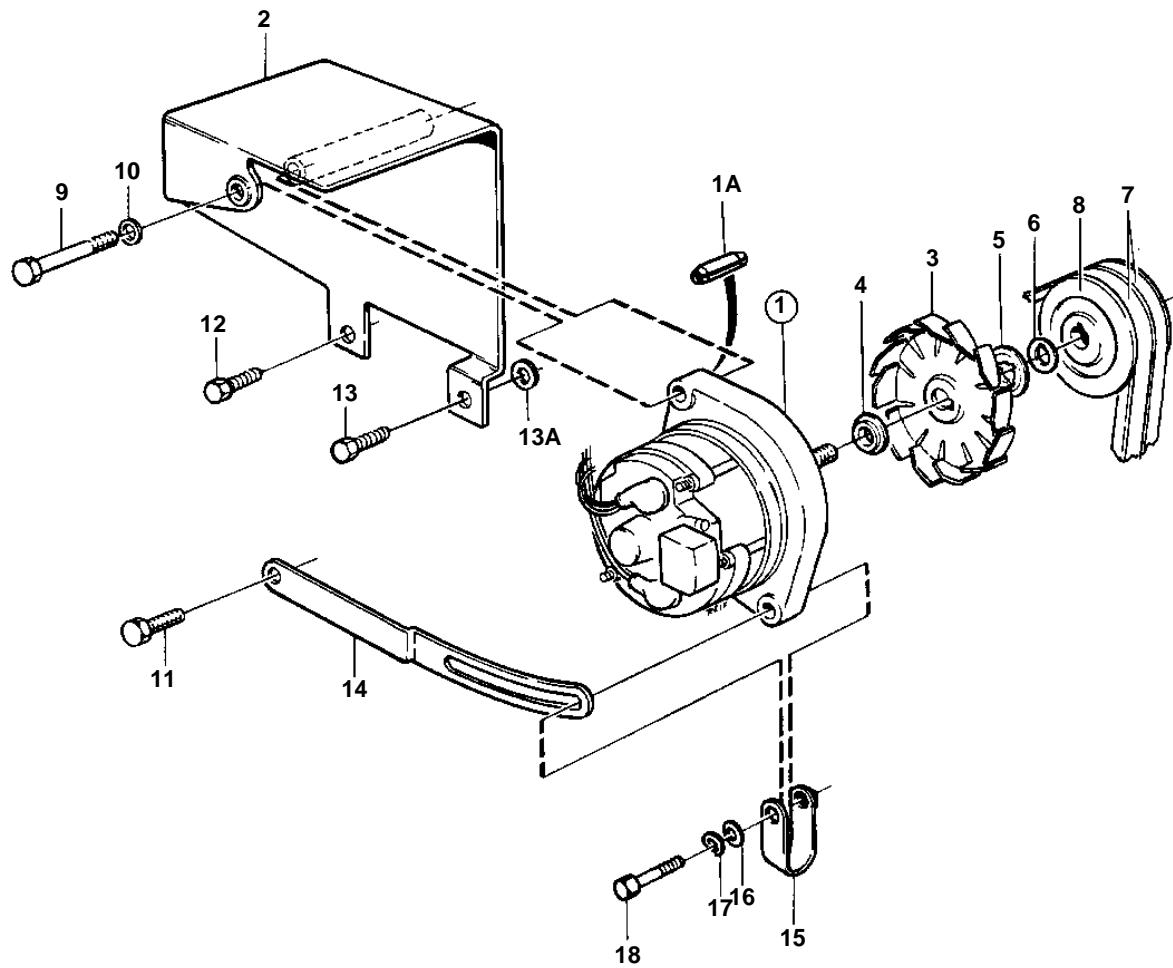


TAMD61A



11222

TAMD61A

| REF | PART NO. | QTY | DESCRIPTION | SEE SEC. | NOTES |
|-----|----------|-----|-------------------|----------|--|
| 1 | 872018 | 1 | Alternator | | REPL BY 872235. For 12 voltage electric system.. Do not use the fan wich is included in complete alternator for engine TAMD61, TAMD62, TAMD71 and TAMD72. Correct fan is stated on the page referred to SN1101038359/XXXXX-SN-XXXXXXXXXX/86774 |
| | 872235 | 1 | Alternator | 322 | SNXXXXXXXXXX/86775-. For 12 voltage electric system.. Do not use the fan wich is included in complete alternator for engine TAMD61, TAMD62, TAMD71 and TAMD72. Correct fan is stated on the page referred to |
| | 3803260 | 1 | Alternator,exch | 448 | Exchange unit |
| | 872021 | 1 | Alternator | 127 | SN1101038359/XXXXX-. For 24 voltage electric system.. Do not use the fan wich is included in complete alternator for engine TAMD61, TAMD62, TAMD71 and TAMD72. Correct fan is stated on the page referred to |
| 1A | 1610144 | 1 | Pin | | |
| 2 | 849454 | 1 | Bracket | | |
| 3 | 848971 | 1 | Fan | | 24V |
| | | 1 | Fan kit | | 12V |
| 4 | | 1 | · Spacer | | |
| 5 | | 1 | · Spacer | | |
| 6 | | 1 | · Washer | | |
| 7 | 967193 | 1 | V-belt kit | | |
| 8 | 849617 | 1 | Pulley | | |
| 9 | 970965 | 1 | Screw | | L=150mm |
| 10 | 941908 | 1 | Spring washer | | |
| 11 | 946173 | 1 | Flange screw | | |
| 12 | 965183 | 1 | Flange screw | | |
| 13 | 965190 | 1 | Screw | | |
| 13A | 960148 | 1 | Washer | | |
| 14 | 830747 | 1 | Tensioner | | |
| 15 | 466734 | 1 | Tensioning eyelet | | |
| 16 | 955894 | 1 | Washer | | |
| 17 | 966674 | 1 | Washer | | (960141) |
| 18 | 947760 | 1 | Flange screw | | |