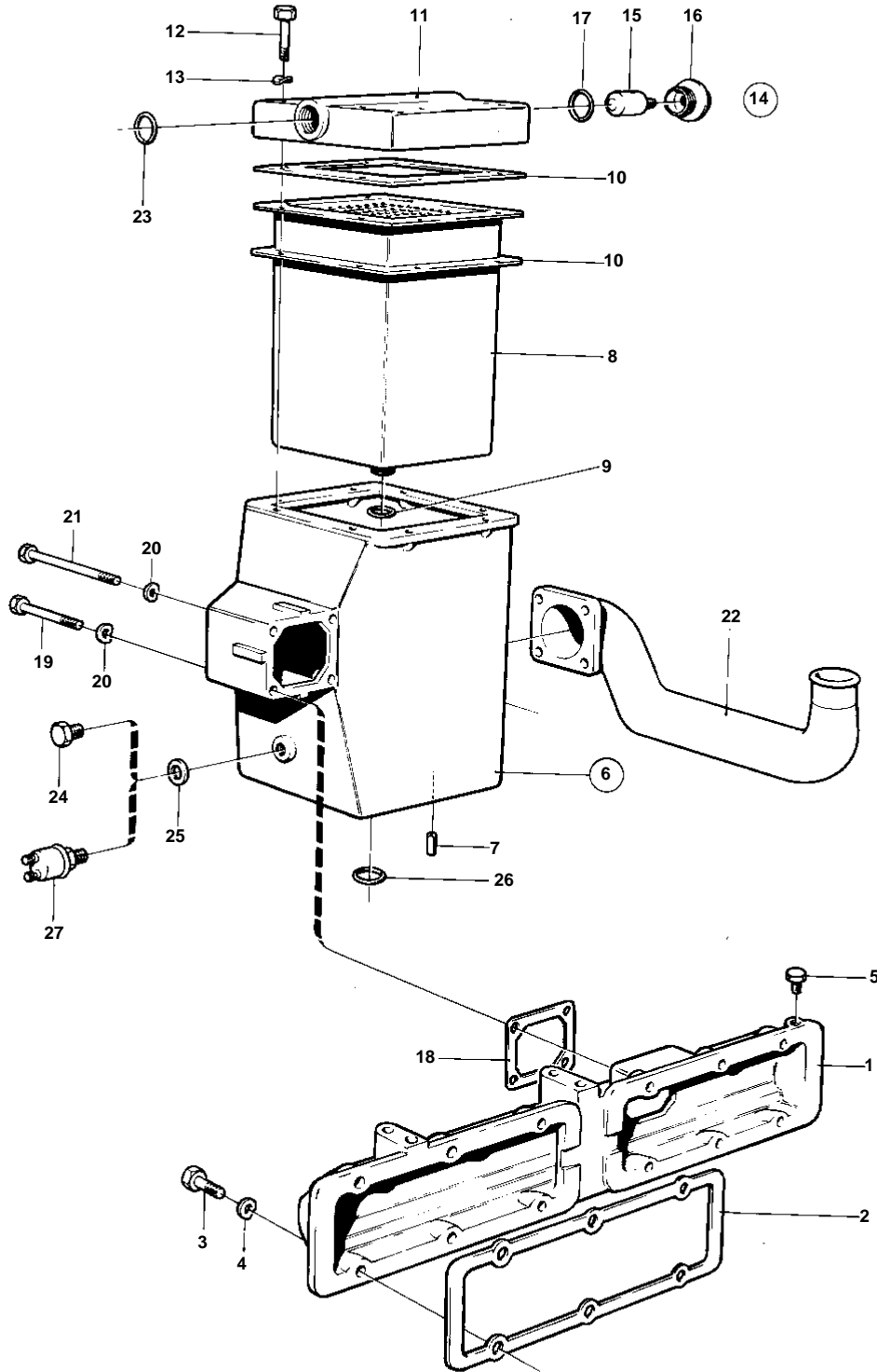


TAMD60A,TAMD60B



4407

INDUCTION MANIFOLD AND AFTER COOLER WITH INSTALLATION COMPONENTS

02B

TAMD60A,TAMD60B

REF	PART NO.	QTY	DESCRIPTION	SEE SEC.	NOTES
1	842412	1	Inlet pipe		
2	420071	1	Gasket	IK	
3	940161	12	Screw		
4	941907	12	Spring washer		
5	191026	1	Plug		
6	842192	1	Housing		
7	951941	1	· Pin		
8	824140	1	Insert		
9	925064	1	O-ring		
10	824301	2	Gasket	IK	
11	842196	1	Cover		
12	955527	8	Screw		
13	941907	8	Spring washer		
14	823660	1	Zinc electrode		REPL BY 823661
15	823661	1	· Zinc electrode		
16	823662	1	· Plug		
17	836169	1	Gasket	IK	
18	466271	1	Gasket	IK	
19	959795	2	Screw		L = 140 MM
	959793	2	Screw		L = 114 MM
20	941907	4	Spring washer		
21	959806	1	Screw	02B-1475	
22	842195	1	Connection pipe	02B-1475	
23	925061	1	O-ring	02B-0050	
24	960632	1	Plug		
25	11998	1	Gasket	IK	
26	925064	1	O-ring	02B-0050	
27			AIR PRESSURE SENDER		SEE GROUP 3