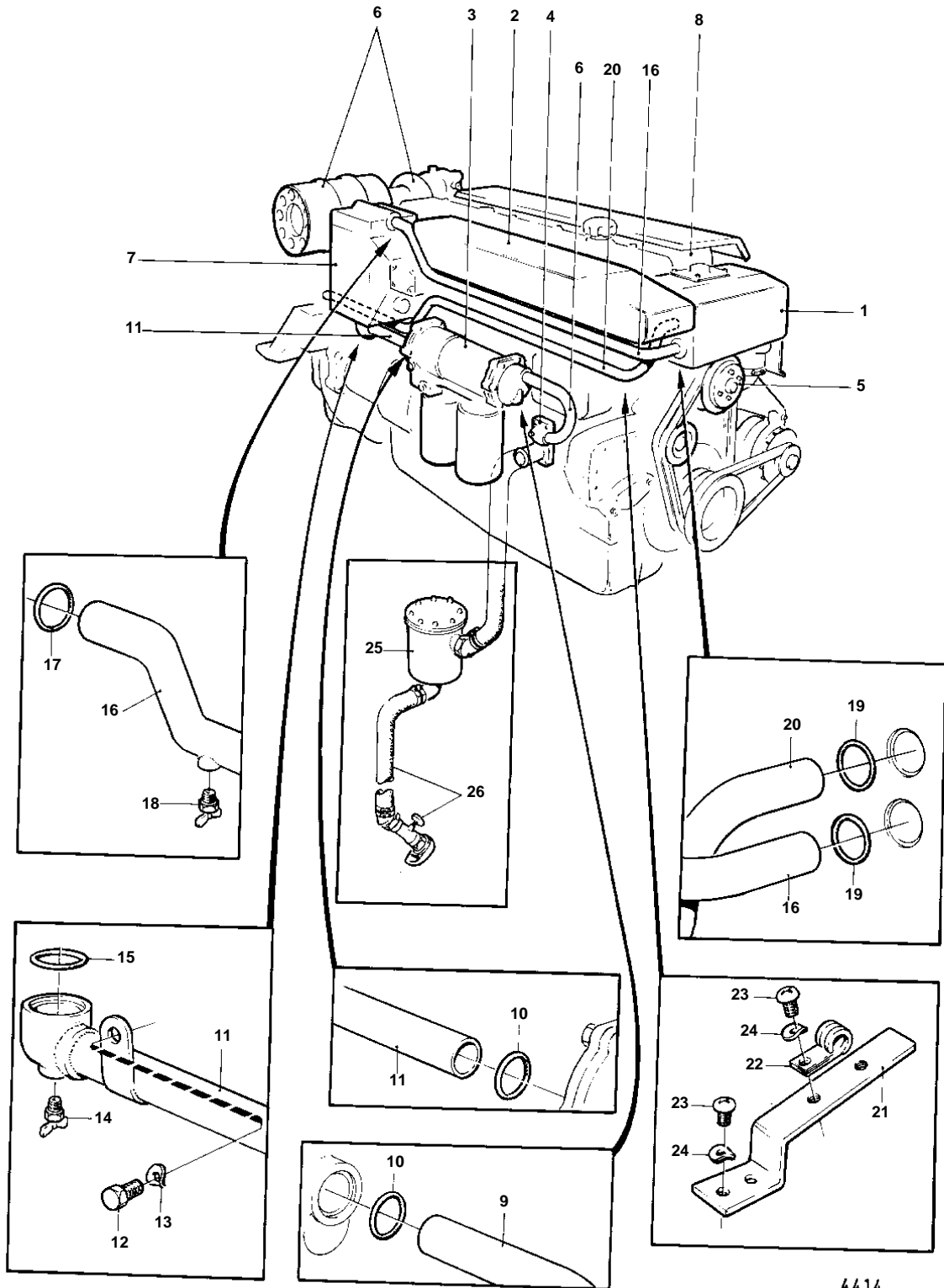


TAMD60A,TAMD60B



4414

TAMD60A,TAMD60B

REF	PART NO.	QTY	DESCRIPTION	SEE SEC.	NOTES
1			HEAT EXCHANGER AND THERMOSTAT WITH INSTALLATION COMPONENTS	02B-0375	
2			EXPANSION TANK WITH INSTALLATION COMPONENTS	02B-0380	
3			OIL COOLER WITH INSTALLATION COMPONENTS	02B-0675	
4			SEA WATER PUMP WITH INSTALLATION COMPONENTS	02B-0925	
5			CIRCULATION PUMP WITH INSTALLATION COMPONENTS	02B-1225	
6			TURBO AND AIR FILTER WITH INSTALLATION COMPONENTS	02B-1475	
7			INDUCTION MANIFOLD AND AFTER COOLER WITH INSTALLATION COMPONENTS	02B-1950	
8			EXHAUST MANIFOLD WITH INSTALLATION COMPONENTS	02B-1975	
9	842270	1	Coolant pipe	02B-0925	
10	925061	2	O-ring	IK	
11	842271	1	Coolant pipe		
12	955524	1	Screw		
13	941907	1	Spring washer		
14	947893	1	Drain cock		(82745)
15	925064	1	O-ring	IK	02B-1950
16	842273	1	Coolant pipe		
17	925061	1	O-ring	IK	02B-1950
18	947893	1	Drain cock		(82745)
19	925061	2	O-ring	IK	
20	842272	1	Coolant pipe		
21	842501	1	Attaching plate		
22	952635	2	Clamp		
23	950045	4	Screw		
24	941906	4	Spring washer		
25			SEA WATER FILTER		SEE GROUP 9
26			SEA WATER INTAKE		SEE GROUP 9