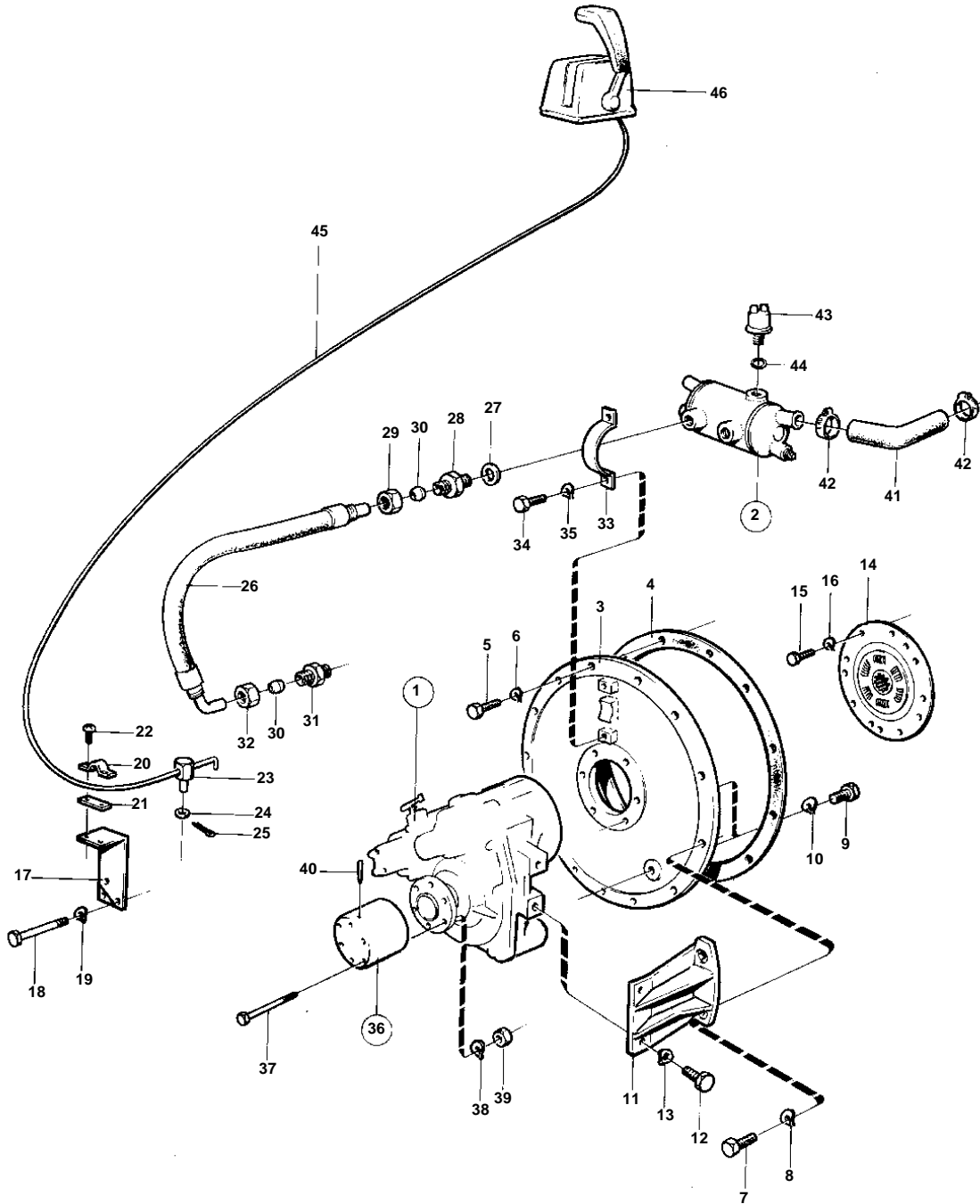


TAMD60A, TAMD60B



5247

TAMD60A,TAMD60B

REF	PART NO.	QTY	DESCRIPTION	SEE SEC.	NOTES
1		1	REV. GEAR, RATIO 1,5:1		
		1	REV.GEAR, RATIO 2:1		
		1	REV. GEAR, RATIO 2,5:1		
			COMPONENTS		
2	842240	1	Oil cooler	04A-0700	
3	842215	1	Intermediate section		
4	800751	1	Gasket		
5	955535	8	Screw		
6	942336	8	Spring washer		
7	940162	4	Screw		
8	942336	4	Spring washer		
9	940160	8	Screw		
10	941909	8	Spring washer		
11	842514	1	Bracket		S.B
	842216	1	Bracket		P
12	955560	4	Screw		
13	940280	4	Spring washer		
14	842558	1	Absorber		
15	955534	8	Screw		
16	942336	8	Spring washer		
17	844058	1	Bracket		
18	955532	2	Screw		
19	941907	2	Spring washer		
20	819067	1	Brace		
21	819068	1	Washer		
22	950021	2	Screw		
23	813674	1	Cube		
24	940191	1	Washer		
25	17276	1	Cotter pin		
26	837355	2	Hose		
27	957184	2	Washer		
28	943755	2	Fitting		
29	941331	2	Nut		
30	956970	4	Ferrule		
31	941750	2	Nipple		
32	956984	2	Nut		
33	846242	1	Tensioning band		(842244)
34	955524	1	Screw		L = 19 MM
35	941907	2	Spring washer		
36	842245	1	Clutch flange		
37	959804	6	· Screw		
38	941909	6	· Spring washer		
39	950355	6	· Nut		
40	907619	1	· Pin		
41	829053	1	Rubber hook		
42	943475	2	Hose clamp		
43	837781	1	Pressure sensor		SEE GROUP 3
44	957181	1	Gasket		
45		X	CONTROL CABLE		SEE GROUP 9
46		X	CONTROL		SEE GROUP 9