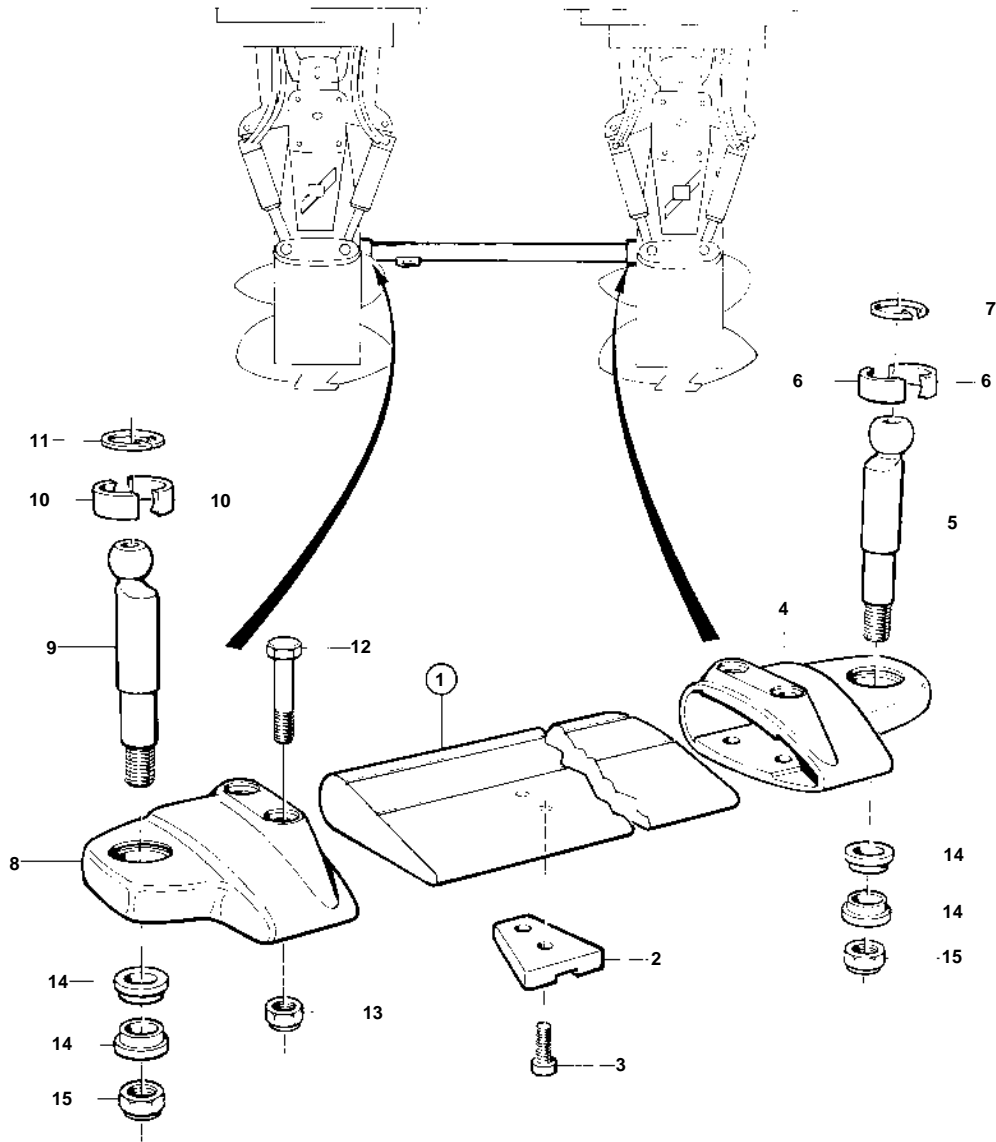


DPX



11587

DPX

REF	PART NO.	QTY	DESCRIPTION		NOTES
1		1	Stay		
2	876638	1	• Zinc anode kit		
3	963684	2	• • Screw		
4	872972	1	Link	SO	S.B
5	872497	1	Ball joint	SO	
6	872349	2	Ball seat		
7	872713	1	Lock ring		
8	873121	1	Link	SO	P
9	872497	1	Ball joint	SO	
10	872349	2	Ball seat		
11	872713	1	Lock ring		
12	873218	4	Screw	SO	
13	873219	4	Lock nut	SO	
14	872348	4	Washer	SO	
15	873220	2	Lock nut	SO	