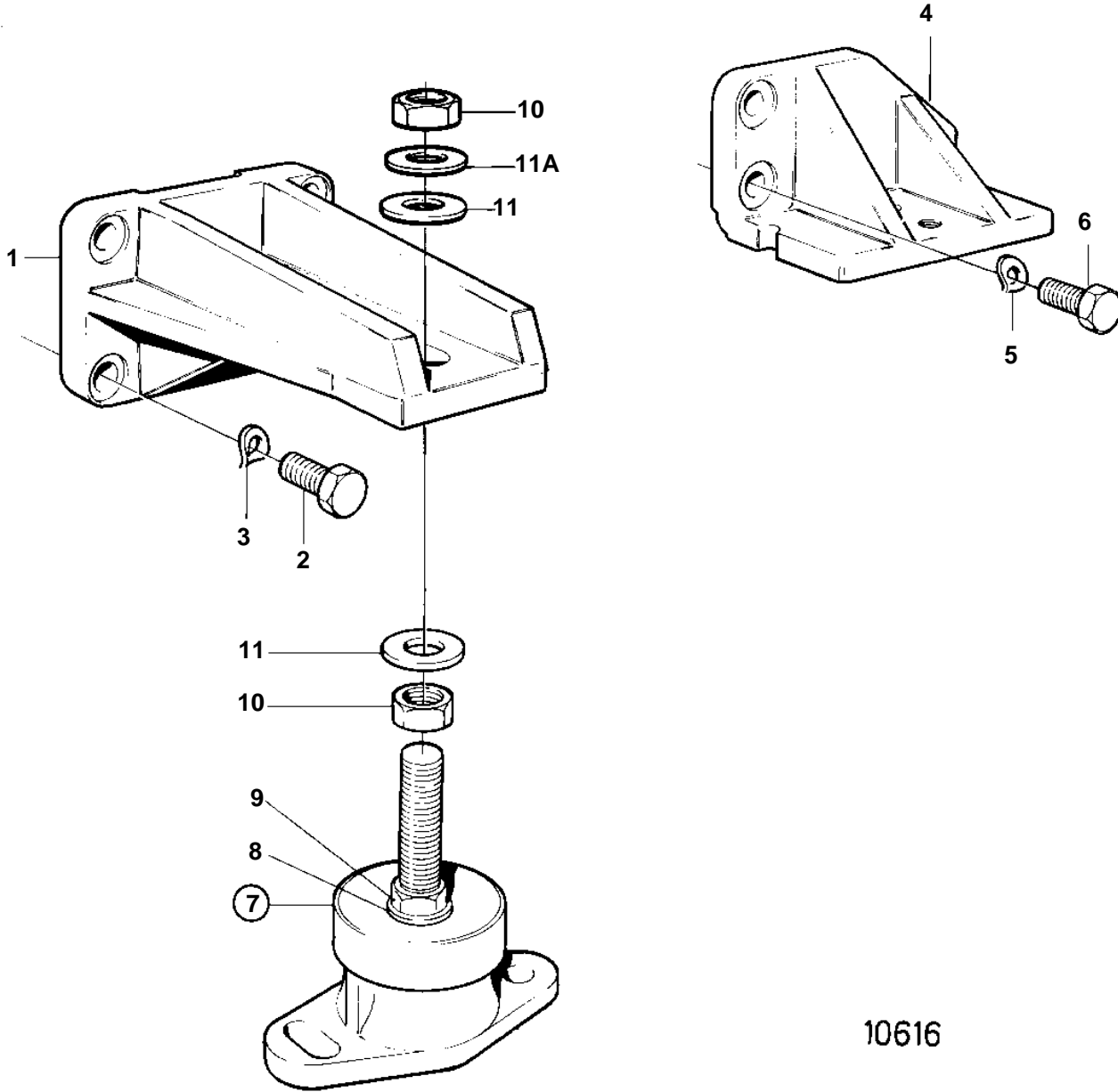


TAMD42B, KAMD42B



10616

TAMD42B, KAMD42B

| REF | PART NO. | QTY | DESCRIPTION | NOTES |
|-----|----------|-----|------------------|--------|
| 1 | 860953 | 2 | Engine bracket | |
| 2 | 965192 | 8 | Flange screw | L=40mm |
| 3 | 940280 | 8 | Spring washer | |
| 4 | 860952 | 1 | Engine bracket | P |
| | 860954 | 1 | Engine bracket | S.B |
| 5 | 940280 | 4 | Spring washer | |
| 6 | 966343 | 3 | Screw | L=35mm |
| | 966343 | 1 | Screw | L=35mm |
| | 965226 | 2 | Flange screw | L=45mm |
| 7 | 876597 | 4 | Rubber element | |
| 8 | 955900 | 4 | · Washer | |
| 9 | 860950 | 4 | · Adjuster screw | |
| 10 | 955806 | 8 | · Nut | |
| 11 | 955901 | 4 | Washer | D=34mm |
| | 978991 | 4 | Washer | D=40mm |
| 11A | 941913 | 4 | Spring washer | |