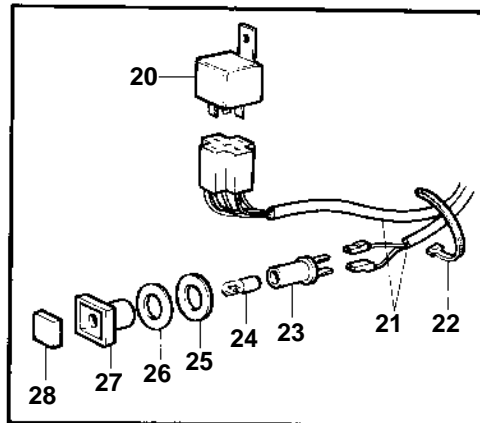
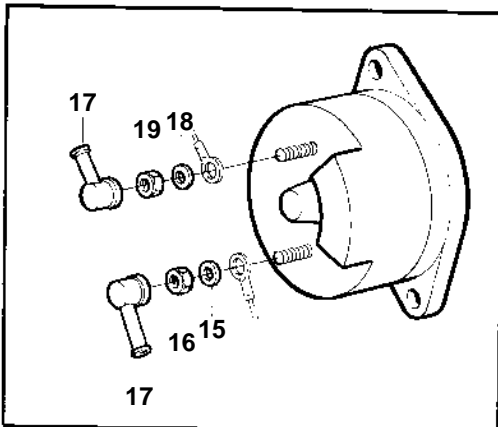
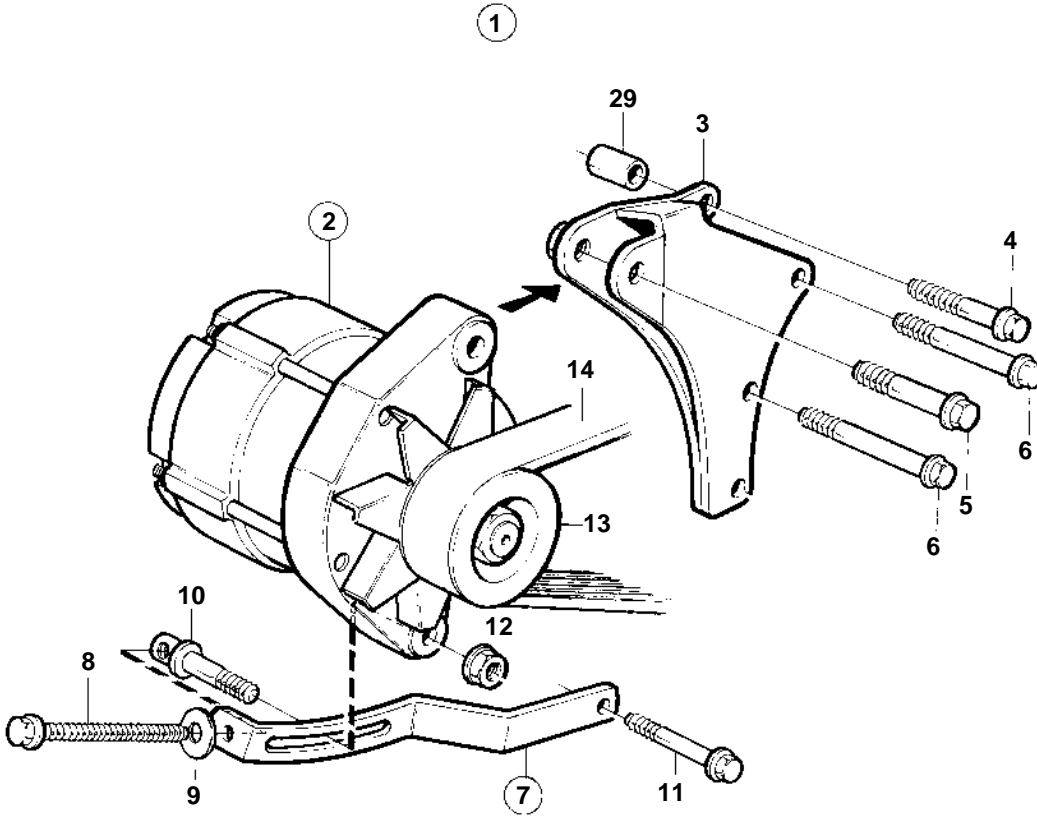


COMMON



15463

COMMON

REF	PART NO.	QTY	DESCRIPTION	SEE SEC.	NOTES
1	861598	1	Alternator kit		For engines with a multi-v belt driven water pump.
2	872235	1	· Alternator		
	3803260	1	· Alternator,exch		Exchange unit
				448	
3	860271	1	· Bracket		
4	965179	1	· Flange screw		L=50mm
5	955554	1	· Screw		L=76mm
6	965182	2	· Flange screw		L=85mm
7	861667	1	· Tensioner		
8	977820	1	· · Screw		
9	955894	1	· · Washer		
10	861663	1	· · Lock screw		
11	965183	1	· Flange screw		
12	968862	1	· Nut		
13	861544	1	· Pulley		
14	861566	1	· Drive belt, multi-V		
15	941906	1	· Spring washer		
16	945407	1	· Flange nut		
17	842150	2	· Protective cap		
18	941905	1	· Spring washer		
19	965483	1	· Nut		
20	872300	1	· Relay		(853545) 12V 30A
21	838542	1	· Cable trunk		
22	948210	X	· Strip clamp		
23	808175	1	· Bulb socket		
24	19923	1	· Bulb		
25	967583	1	· Retainer		
26	829714	1	· Seal		
27	838455	1	· Retainer		
28	838457	1	· Symbol strip		
29	843075	1	· Sleeve		