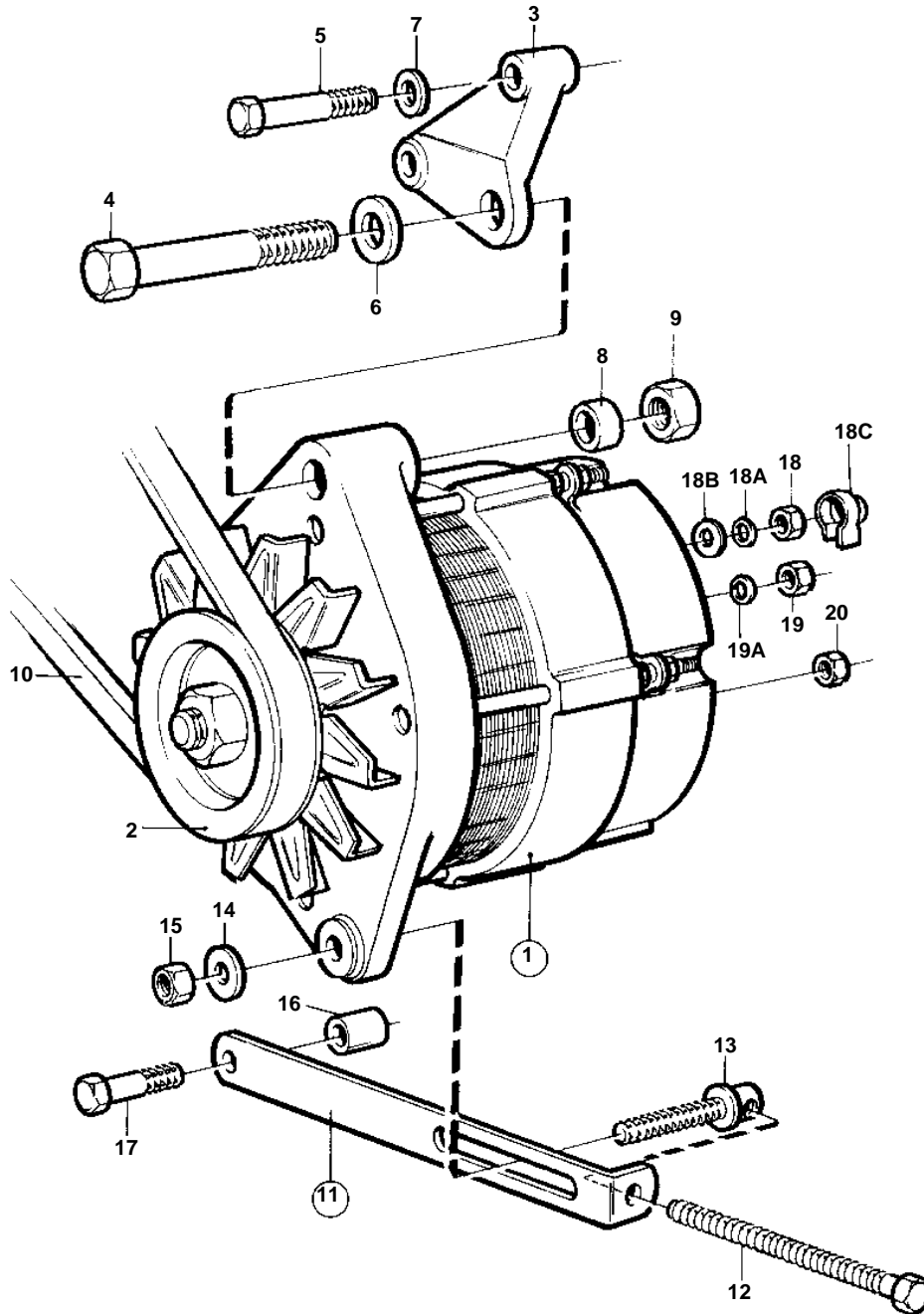


TAMD42B, KAMD42B, KAD42B



11402

TAMD42B, KAMD42B, KAD42B

REF	PART NO.	QTY	DESCRIPTION	SEE SEC.	NOTES
1	872235	1	Alternator		14V 60A
	3803260	1	Alternator,exch		Exchange unit
				448	
2	841813	1	Pulley		
3	860666	1	Bracket		
4	959804	1	Screw		L=127mm
5	965180	1	Flange screw		L=60mm
	969189	1	Flange screw		L=85mm
6	941909	1	Spring washer		
7	941907	2	Spring washer		
8	860699	1	Sleeve		
9	950355	1	Nut		
10	977542	1	V-belt		
11	860962	1	Tensioning arm		M6, SN-2204207319
	861660	1	Tensioner		M8, SN220420732-
12	1336962	1	· Adjuster screw		M6
	977820	1	· Screw		M8
13	1378955	1	· Lock screw		FOR 1336962
	861663	1	· Lock screw		FOR 977820
14	941907	1	Spring washer		
15	968862	1	Nut		
16	843075	1	Sleeve		
17	969189	1	Flange screw		
18	955781	1	Nut		M6, B+
18A	955893	2	Washer		
	941906	1	Spring washer		
18B	960140	1	Washer		
18C	1234326	1	Protective cap		
19	965483	1	Nut		M5, D+
19A	941905	1	Spring washer		
20	955779	1	Nut		M4, W