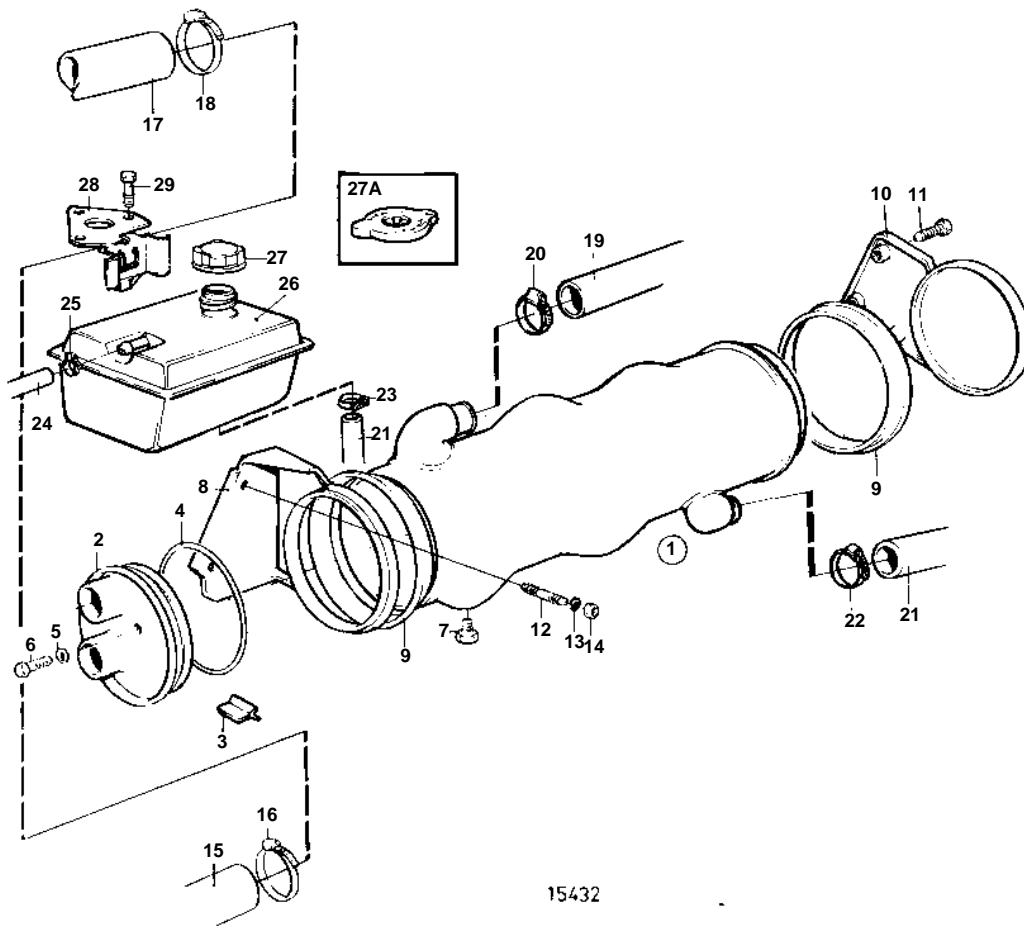


TAMD42B



## TAMD42B

REF	PART NO.	QTY	DESCRIPTION	SEE SEC.	NOTES
1	861082	1	Heat exchanger		
			Bulletin 44-41	44-41-EN	New silencer kit for KAD/KAMD42-A
2	861308	1	· Cover		
3	861027	3	· Plug		
4	925027	1	· O-ring		
5	964106	1	· Gasket		
6	963567	1	· Screw		
7	861551	1	· Plug		(861116)
8	838729	1	Bracket		
9	838733	2	Support ring		
10	838728	1	Bracket		
11	965185	3	Flange screw		
12	953003	1	Stud		L=130mm
	953007	1	Stud		L=150mm
13	941908	2	Spring washer		
14	971095	2	Nut		
15	860645	1	Hose		Heat exchanger-after cooler.
16	943475	1	Hose clamp		
17	860828	1	Hose		Heat exchanger-exhaust riser.
18	943475	1	Hose clamp		
19	861110	1	Hose		Thermostat housing-heat exchanger.
20	943477	1	Hose clamp		
21	861113	1	Hose		Heat exchanger-expansion tank-water pump.
22	943477	1	Hose clamp		
23	943474	1	Hose clamp		
24	942700	X	Hose		Expansion tank-Turbo.
25	945652	1	Hose clamp		
26	861105	1	Expansion tank		
27	1357775	1	Pressure cap		
27A	845587	1	Filler cap		When separate expansion tank is being used.
28	861108	1	Bracket		
29	965175	3	Screw		