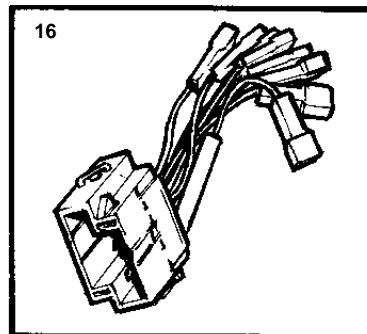
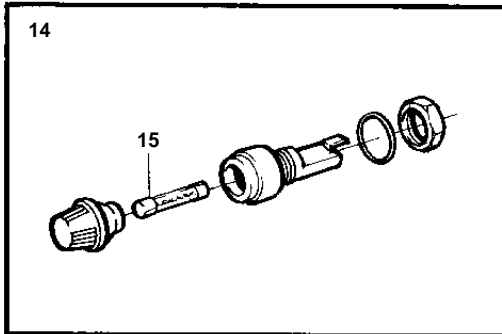
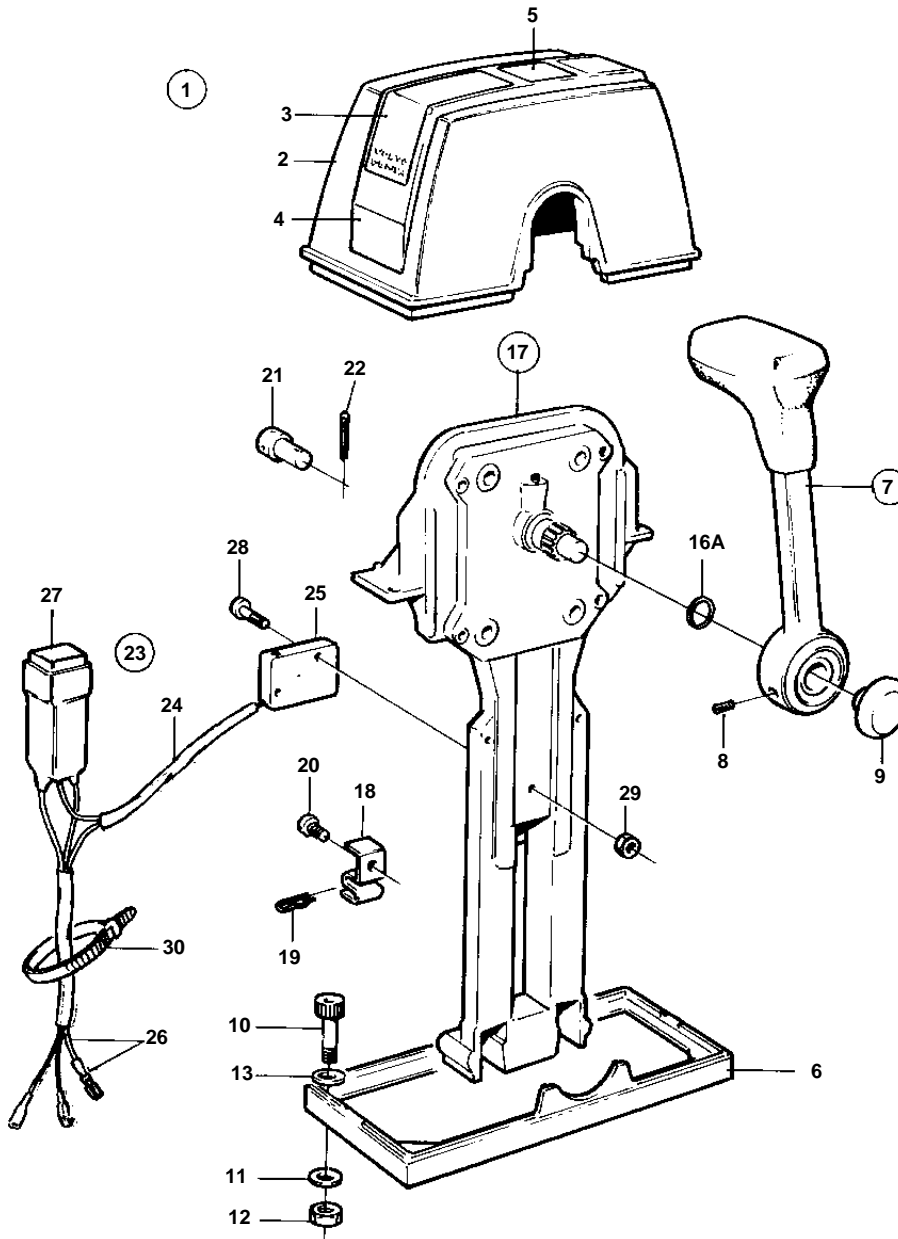


COMMON



15188

## COMMON

REF	PART NO.	QTY	DESCRIPTION	SEE SEC.	NOTES
1	1140043	1	Mounting kit		
2	1140046	1	• Cover		
3	851896	2	• • Decal		
4		1	• • Cover plate		
5		1	• • Decal		
6	839474	1	• • Plate		
7	1140041	1	• Lever		
				703	
8	963678	1	• • Screw		
9	853004	1	• Push button		
10	947671	4	• Allen head screw		
11	960138	4	• Washer		
12	955780	4	• Nut		
13	940090	4	• Washer		
14	841073	1	• Fuse holder		
15	853342	1	• Fuse		5A
16	872444	1	• Adapter		
16A	925058	1	• O-ring		
17	851600	1	Control		
18	853423	1	• Retainer		
19	852924	1	• Clip		
20	839664	1	• Screw		
21	839638	1	• Cube		
22	17253	1	• Cotter pin		
23	855352	1	Neutral posit contac		
24	839619	1	• Cable kit		
25	850200	1	• • Switch		
26		X	• • Cables and terminals	124	
27	876037	1	• Relay kit		
28	946177	2	• Screw		
29	947536	2	• Nut		
30	948210	X	• Strip clamp		