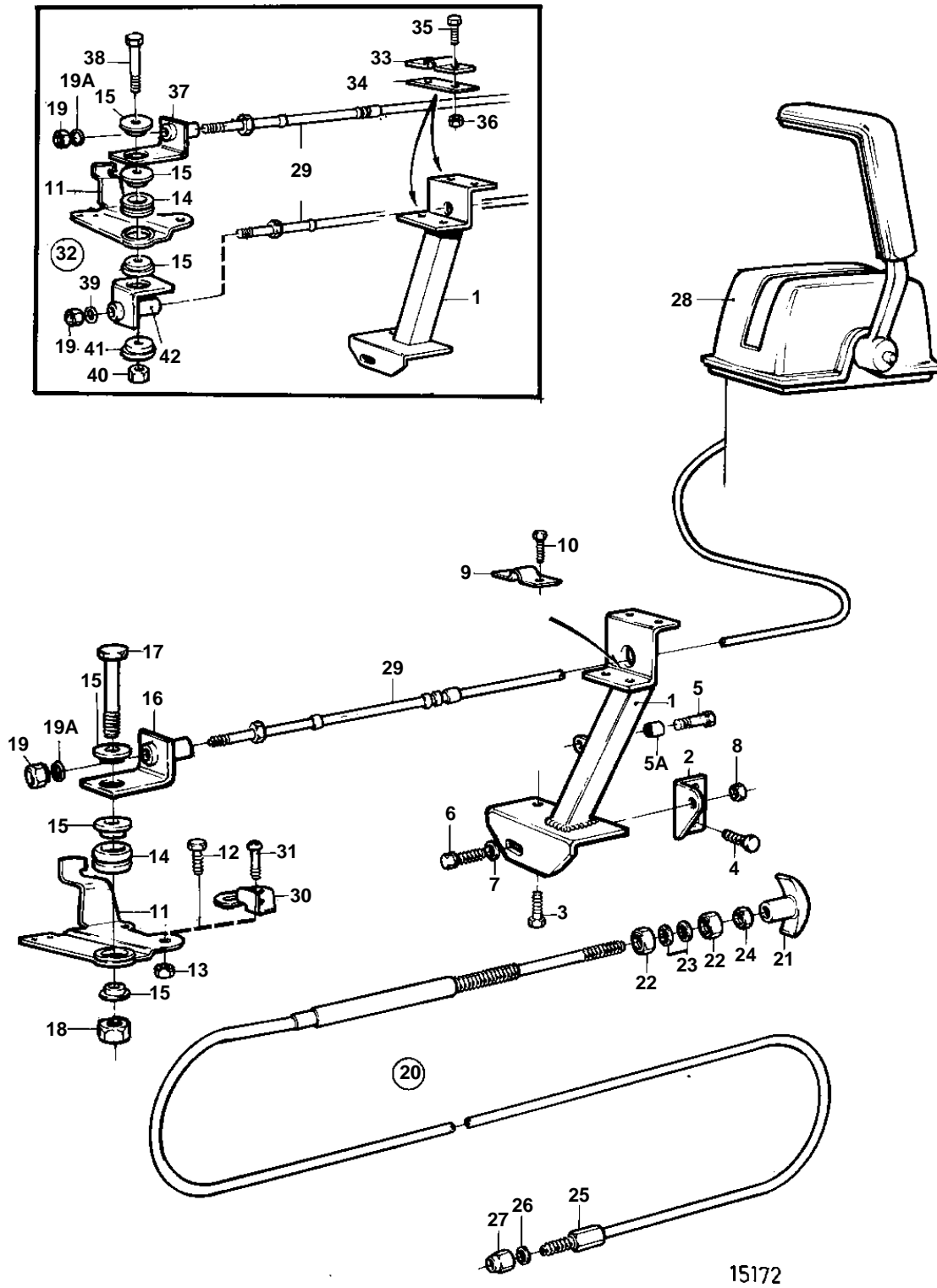


TAMD42B, KAMD42B, KAD42B



## TAMD42B, KAMD42B, KAD42B

REF	PART NO.	QTY	DESCRIPTION	NOTES
1	838783	1	Bracket	
2	838753	1	Bracket	
3	946471	1	Screw	L=16mm
	946441	1	Screw	L=20mm
4	946440	2	Flange screw	
5	947542	1	Screw	
5A		1	Spacer sleeve	
6	945444	1	Flange screw	
7	191172	1	Washer	
8	948645	1	Lock nut	
9	819067	1	Brace	
10	956078	2	Screw	
11	858261	1	Lever	
12	946544	1	Flange screw	KAMD42B, KAD42B
13	949278	1	Lock nut	KAMD42B, KAD42B
14	843109	1	Bushing	
15	843105	3	Spacer washer	
19	951674	2	Lock nut	
19A	955971	1	O-ring	
20	818478	1	Control	L=3,3mm
	818470	1	Control cable	L=6,9mm
21	829241	1	• Handle	
22	955857	2	• Nut	
23	955950	2	• Lock washer	
24	955844	1	• Nut	
25	829070	1	Cable lock	
26	955894	2	Washer	
27	950363	1	Nut	
28		X	Control	
29		X	Control cable	
30	860959	1	Stop, shoulder	KAMD42B, KAD42B
31	956094	1	Screw	KAMD42B, KAD42B
32	861221	1	Speed control kit	
33	819067	1	• Brace	
34	819068	1	• Washer	
35	956078	2	• Screw	
36	951674	2	• Lock nut	
37	861215	1	• Bracket	
38	955275	1	• Screw	
39	955971	1	• O-ring	
40	946035	1	• Lock nut	
41	843105	1	• Spacer washer	
42	861214	1	• Bracket	