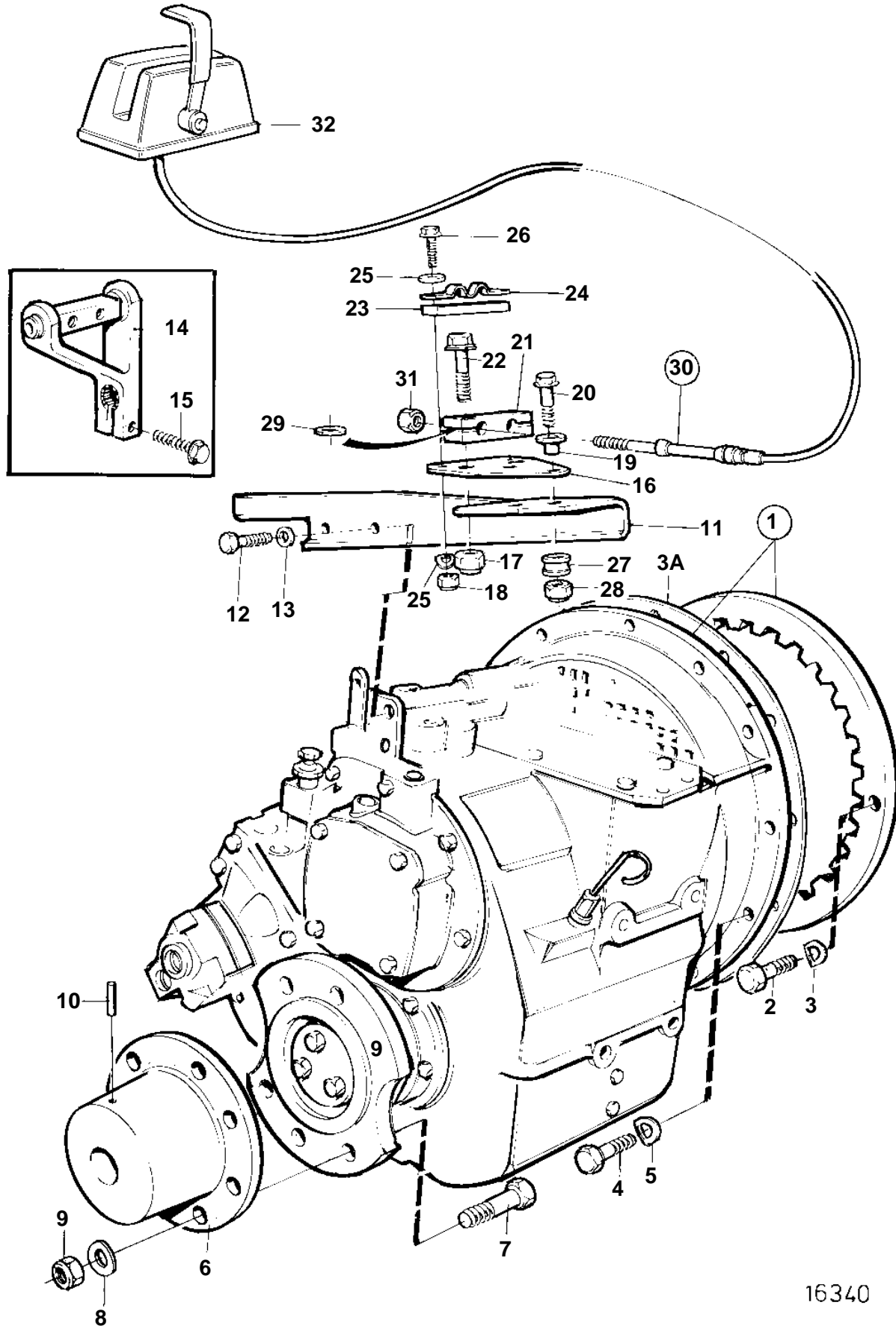


TAMD165P-A



16340

TAMD165P-A

REF	PART NO.	QTY	DESCRIPTION		NOTES
1		1	Reversing gear		1.48:1
		1	Reversing gear		1.92:1
		1	Reversing gear		2.50:1
2	955560	8	Screw		
3	940280	8	Spring washer		
3A	862661	1	Gasket		
4	940134	12	Screw		
5	941909	12	Spring washer		
6	844765	1	Clutch flange	SO	Pre-drilled 30 mm. max shaft 90 mm.
7	955764	8	Screw	SO	
8		8	Washer		
9	950380	8	Lock nut	SO	
10		2	Pin		
11	863603	1	Bracket		
12	946440	2	Flange screw		
13	941907	2	Spring washer		
14	863600	1	Lever		
15	947542	1	Screw		
16	1140270	1	Bracket		
17	963106	2	Nut		
18	963104	2	Nut		
19	824830	2	Spacer sleeve		
20	947542	2	Screw		
21	1140271	1	Anchorage		
22	948217	2	Flange screw		
23	1140272	1	Spacer		
24	850182	1	Cable attachment		
25	940090	2	Washer		
26	956081	2	Screw		(955249)
27	824834	2	Bushing		
28	963105	2	Nut		
29	955894	1	Washer		
30		X	Control cable		SEE GROUP 27
31		1	• Nut		
32		X	Control		SEE GROUP 27