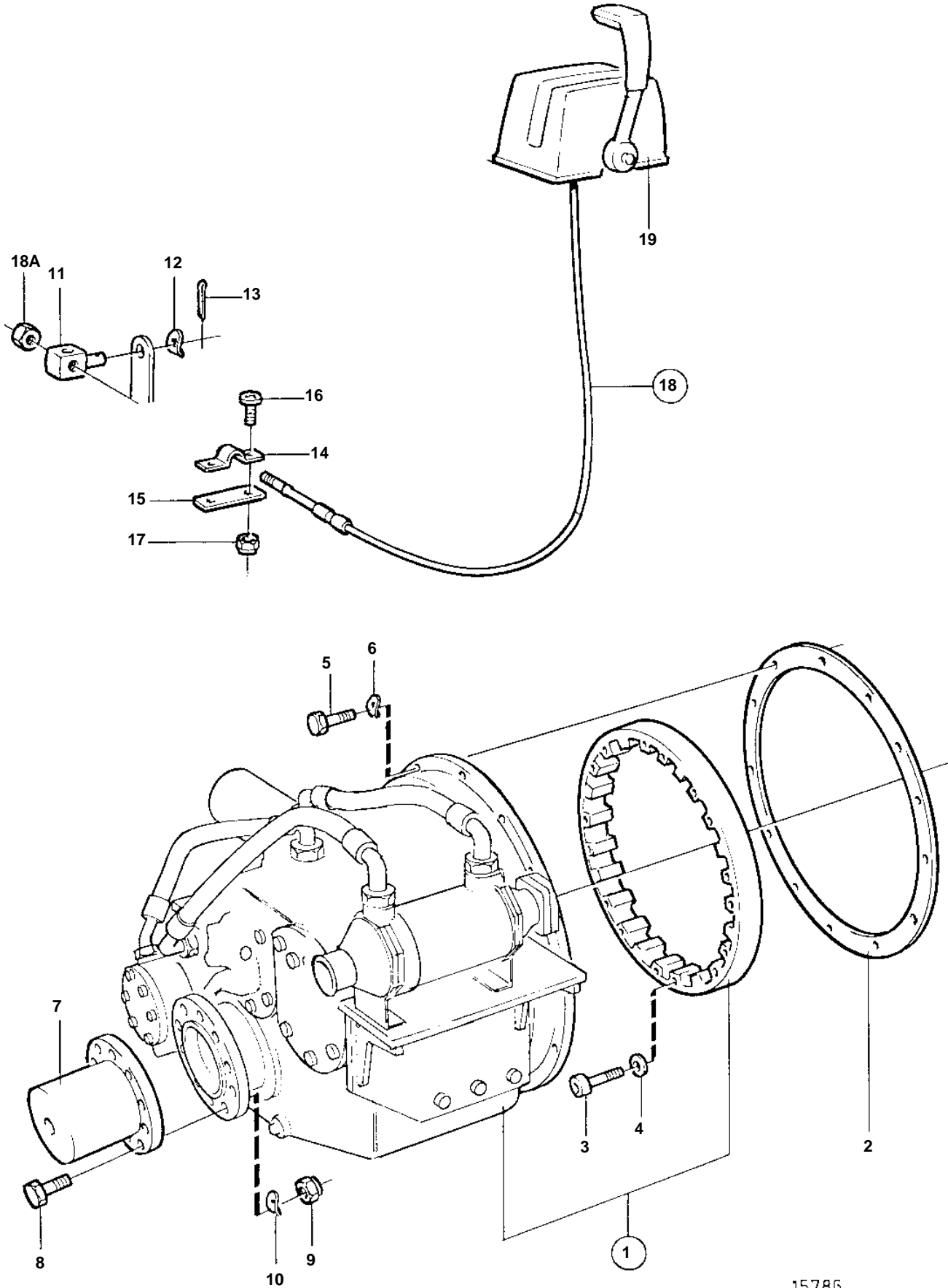


TAMD165P-A



15786

TAMD165P-A

REF	PART NO.	QTY	DESCRIPTION	NOTES
1		1	Reversing gear	RATIO 1.581:1
		1	Reversing gear	RATIO 2.077:1
		1	Reversing gear	RATIO 2.636:1
2	862661	1	Gasket	
3	956621	8	Allen head screw	
4	968161	8	Washer	
5	940134	12	Screw	
6	941909	12	Spring washer	
7	864087	1	Clutch flange	SO Pre-drilled 30 mm. Max shaft 80 mm.
8	980253	10	Screw	
9	943674	10	Lock nut	
10	941913	10	Spring washer	
11	853217	1	Cube	
12	949607	1	Spring washer	
13	17276	1	Cotter pin	
14	819067	1	Brace	For control cable type 333.
	6853782	1	Clamp	For control cable type 443.
15	819068	1	Washer	
16	956079	2	Screw	
17	963104	2	Nut	
18		X	Control cable	SEE GROUP 27
18A		1	• Nut	
19		X	Control	SEE GROUP 27