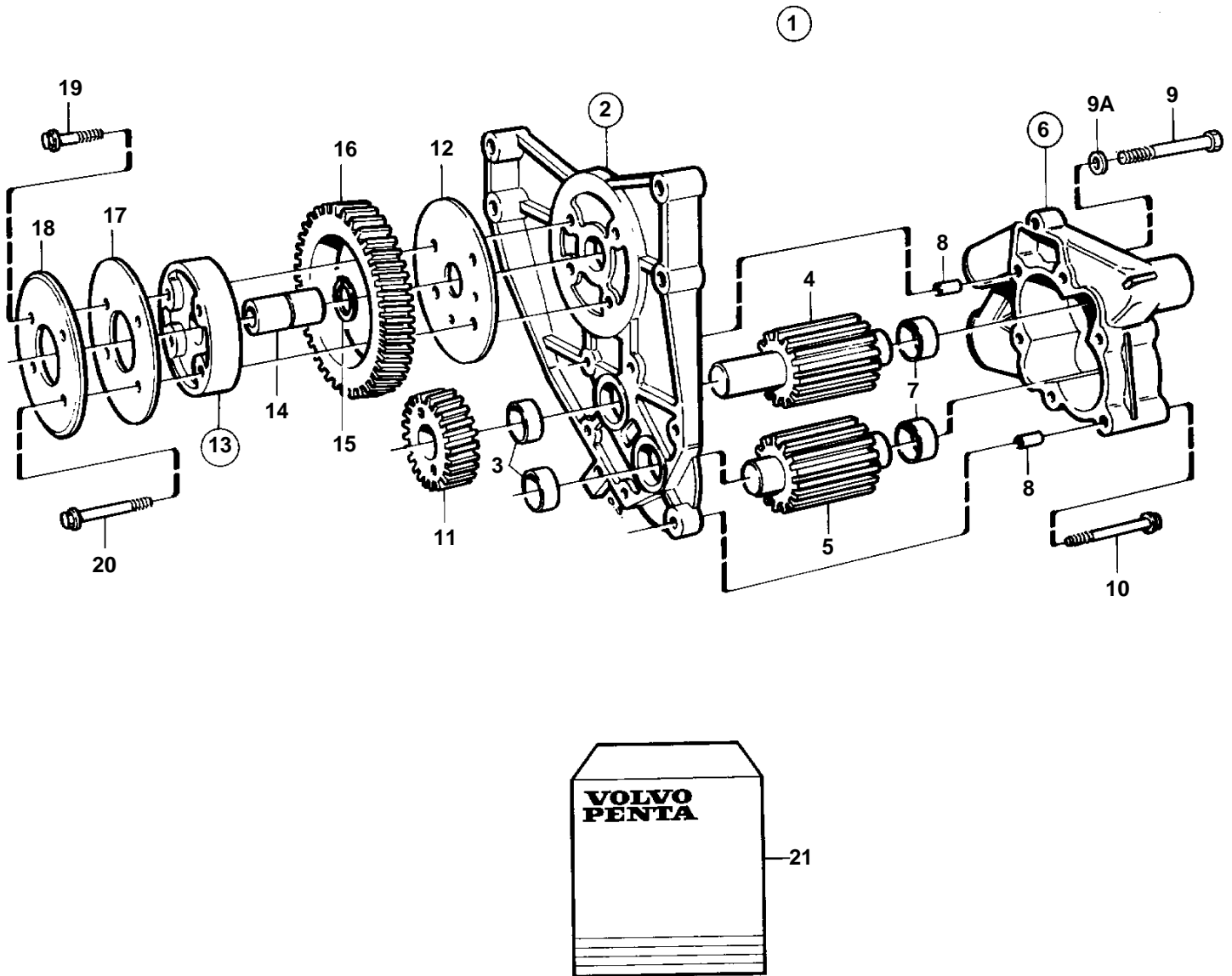


TAMD165C-A



15183

## TAMD165C-A

REF	PART NO.	QTY	DESCRIPTION	NOTES
1	3825153	1	Oil pump	
2	1543965	1	· Bracket	
3		2	· · Bushing	Included in overhaul kit.
4		1	· Shaftwith gear	Included in overhaul kit.
5		1	· Shaftwith gear	Included in overhaul kit.
6	1543521	1	· Housing	
7	1543531	2	· · Bushing	Included in overhaul kit.
8	401146	2	· · Guide sleeve	
9	965184	3	· Screw	L=100mm
9A	941907	3	· Spring washer	
10	965183	3	· Flange screw	L=90mm
11	1556097	1	· Drive gear	Can only be used together with set 276871.
12	1543598	1	· Thrust washer	
13	1543799	1	· Spindle	
14	1543597	1	· · Pin	
15	914459	1	· · Lock ring	
16	1543450	1	· Gear	
17	1543900	1	· Thrust washer	
18	1543901	1	· Bearing shield	
19	965186	3	· Flange screw	
20	965188	1	· Screw	
21	276871	1	Repair kit	Can only be used together with drive gear 1556097.