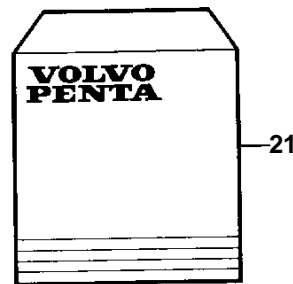
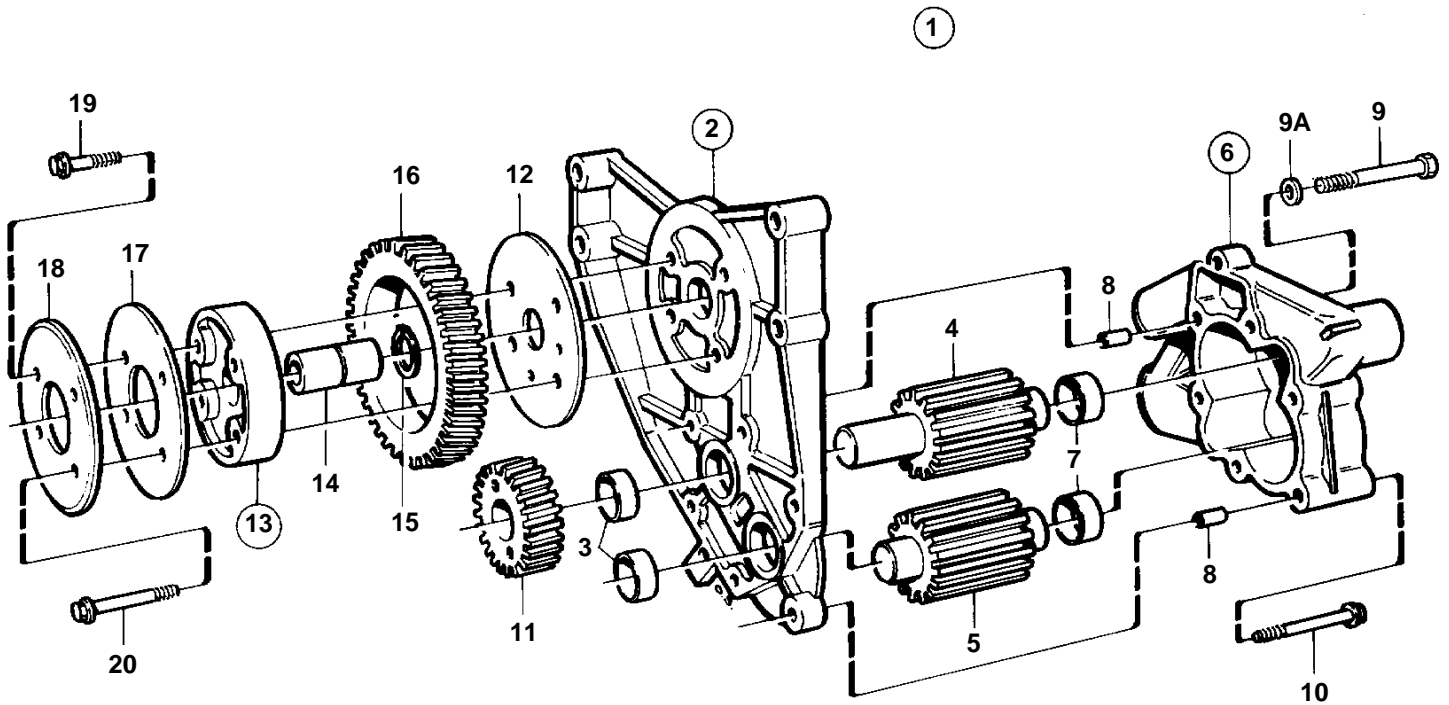


TAMD165C-A, TAMD165A-A, TAMD165P-A



15183

TAMD165C-A, TAMD165A-A, TAMD165P-A

| REF | PART NO. | QTY | DESCRIPTION | NOTES |
|-----|----------|-----|--------------------|--|
| 1 | 1556730 | 1 | Oil pump | |
| 2 | 1543965 | 1 | · Bracket | |
| 3 | | 2 | · · Bushing | Included in overhaul kit. |
| 4 | | 1 | · Shaftwith gear | Included in overhaul kit. |
| 5 | | 1 | · Shaftwith gear | Included in overhaul kit. |
| 6 | 1556019 | 1 | · Oil pump housing | |
| 7 | | 2 | · · Bushing | Included in overhaul kit. |
| 8 | 401146 | 2 | · · Guide sleeve | |
| 9 | 100223 | 3 | · Screw | |
| 9A | 941907 | 3 | · Spring washer | |
| 10 | 965183 | 3 | · Flange screw | |
| 11 | 1556097 | 1 | · Drive gear | Can only be used together with set 276871. |
| 12 | 1543598 | 1 | · Thrust washer | |
| 13 | 1543799 | 1 | · Spindle | |
| 14 | 1543597 | 1 | · · Pin | |
| 15 | 914459 | 1 | · · Lock ring | |
| 16 | 1543450 | 1 | · Gear | |
| 17 | 1543900 | 1 | · Thrust washer | |
| 18 | 1543901 | 1 | · Bearing shield | |
| 19 | 965186 | 3 | · Flange screw | |
| 20 | 965188 | 1 | · Screw | |
| 21 | 276871 | 1 | Repair kit | Can only be used together with drive gear 1556097. |