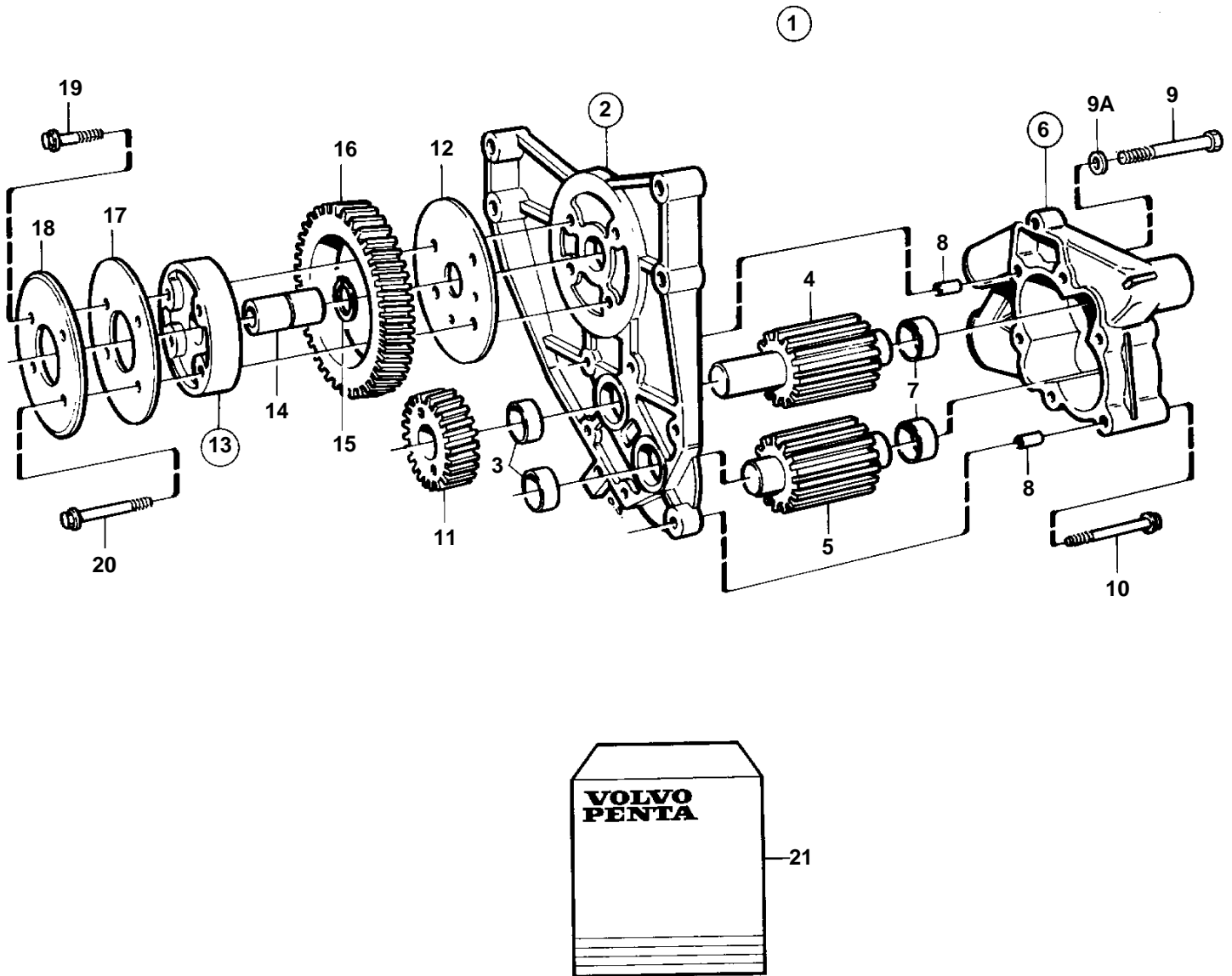


TAMD165A-A



15183

## TAMD165A-A

REF	PART NO.	QTY	DESCRIPTION	NOTES
1	1556177	1	Oil pump	
2	1543965	1	• Bracket	
3		2	• • Bushing	Included in overhaul kit.
4		1	• Shaftwith gear	Included in overhaul kit.
5		1	• Shaftwith gear	Included in overhaul kit.
6	1556019	1	• Oil pump housing	SO
7		2	• • Bushing	Included in overhaul kit.
8	401146	2	• • Guide sleeve	
9	100223	3	• Screw	
9A	941907	3	• Spring washer	
10	965183	3	• Flange screw	
11	1543452	1	• Drive gear	Can only be used together with set 276150.. Can be replaced by drive gear 1556097 together with set 276871.
12	1543598	1	• Thrust washer	
13	1543799	1	• Spindle	
14	1543597	1	• • Pin	
15	914459	1	• • Lock ring	
16	1543450	1	• Gear	
17	1543900	1	• Thrust washer	
18	1543901	1	• Bearing shield	
19	965186	3	• Flange screw	
20	965188	1	• Screw	
21	276150	1	Overhaul kit	Can only be used together with drive gear 1543452.