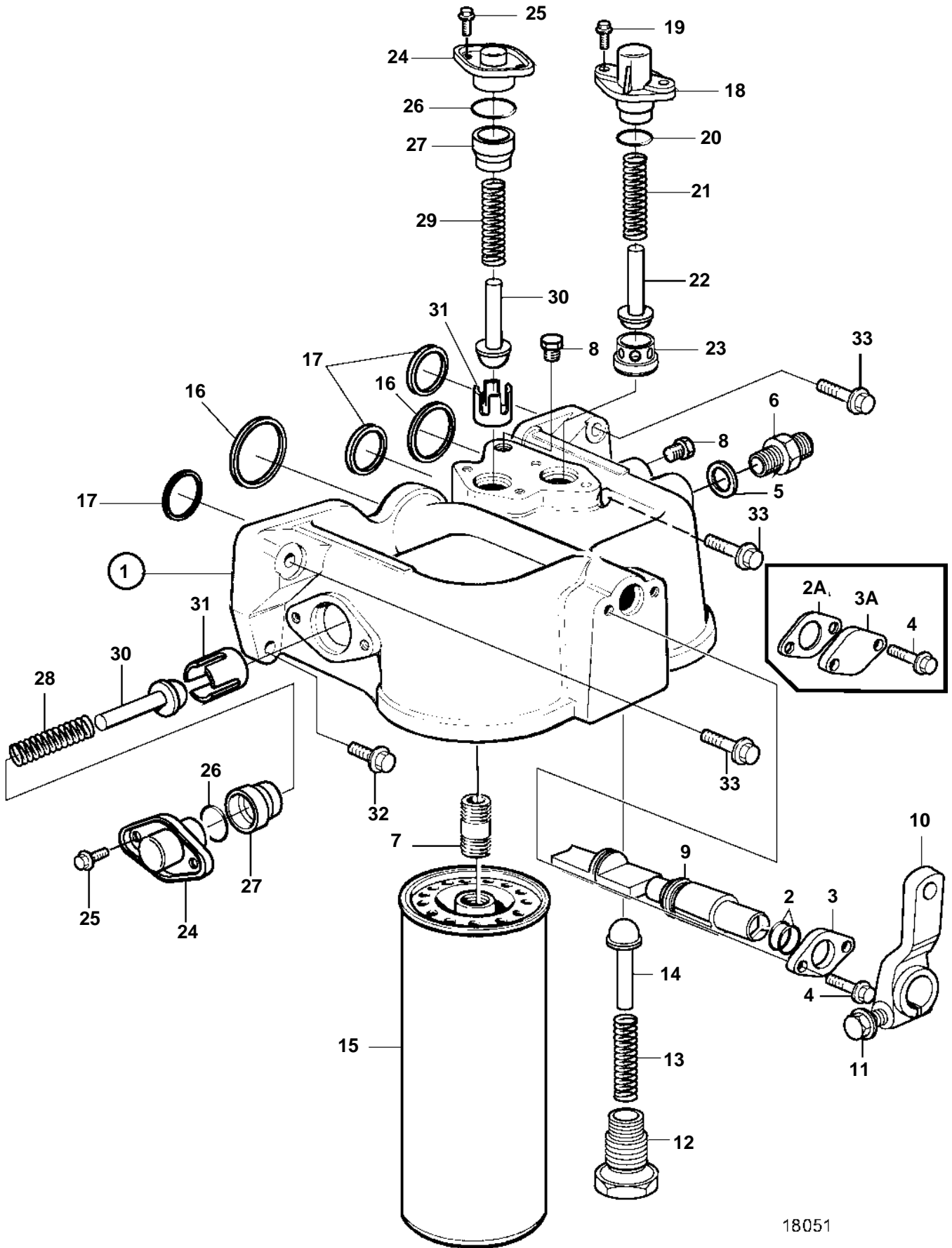


TAMD165C-A, TAMD165A-A, TAMD165P-A



18051

TAMD165C-A, TAMD165A-A, TAMD165P-A

| REF | PART NO. | QTY | DESCRIPTION | | NOTES |
|-----|----------|-----|--------------------|----|--|
| 1 | 3826373 | 1 | Oil filter housing | SO | STD. As spare part replaced by oil filter housing 3826150. |
| 2A | 859002 | 1 | · Gasket | | |
| 3A | 844093 | 1 | · Flange | | |
| 4 | 946544 | 2 | · Flange screw | | |
| 5 | 947624 | 1 | · Gasket | | |
| 6 | 941330 | 1 | · Nipple | | |
| 7 | 466623 | 2 | · Nipple | | |
| | | | | | |
| | | | | | |
| | | | | | |
| | | | | | |
| 15 | 478736 | 2 | Oil filter | | |
| 16 | 8192187 | 2 | Sealing ring | | |
| 17 | 8192189 | 3 | Sealing ring | | |
| 18 | 1543608 | 1 | Cover | | |
| 19 | 946671 | 2 | Flange screw | | |
| 20 | 1543577 | 1 | Sealing ring | | |
| 21 | 1543611 | 1 | Spring | | REDUCTION OIL PRESSURE |
| 22 | 1543610 | 1 | Peg | | |
| 23 | 1543964 | 1 | Valve seat | | |
| 24 | 1542267 | 2 | Cover | | |
| 25 | 945414 | 4 | Screw | | |
| 26 | 1543577 | 2 | Sealing ring | | |
| 27 | 1542266 | 2 | Sleeve | | |
| 28 | 466653 | 1 | Spring | | OVERFLOW |
| 29 | 466653 | 1 | Spring | | PISTON COOLING |
| 30 | 471085 | 2 | Valve | | |
| 31 | 1542265 | 2 | Seat | | |
| 32 | 945444 | 1 | Flange screw | | L=25mm |
| 33 | 947760 | 3 | Flange screw | | L=40mm |