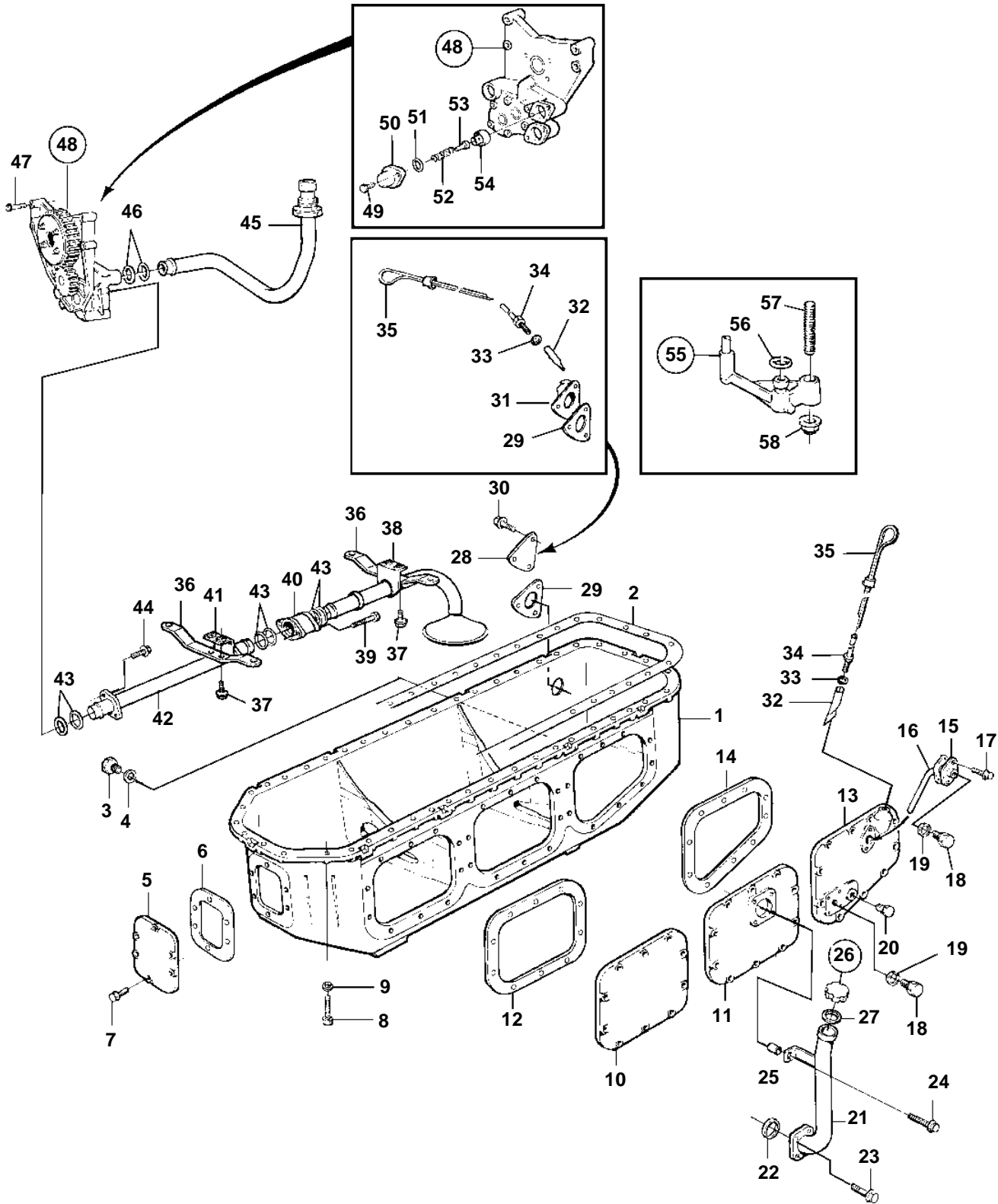


TAMD165C-A



TAMD165C-A

REF	PART NO.	QTY	DESCRIPTION	SEE SEC.
1	862554	1	Oil pan	
2	3827274	1	Gasket	
3	949175	1	Magnetic plug	
4	949329	1	Gasket	
5	849276	1	Cover	
6	849823	1	Gasket	
7	946671	36	Flange screw	
8	959223	44	Screw	
9	941907	44	Spring washer	
10	862626	1	Hatch	
11	849851	1	Hatch	
12	848912	2	Gasket	
13	862555	1	Cover	
14	862575	1	Gasket	
15	849793	1	Tube, draining	
16	862602	1	Gasket	
17	946173	2	Flange screw	
18	960632	2	Plug	
19	947624	2	Gasket	
20	479956	1	Plug	
21	866936	1	Oil filler pipe	
22	843584	1	Sealing ring	
23	946173	4	Flange screw	
24	946671	1	Flange screw	
25	862713	1	Sleeve	
26	1275403	1	Oil filler cap	
27	1275379	1	· Gasket	
28	849265	1	Cover	
29	849266	1	Gasket	
30	946173	3	Flange screw	
31	849249	1	Bracket	
32	862856	2	Tube	
33	11996	2	Gasket	
34	862572	2	Tube	
35	849975	2	Oil dipstick	
36	848867	2	Bracket	
37	946440	4	Flange screw	
38	848871	1	Suction pipe	
39	965184	2	Screw	
40	848870	1	Flange	
41	848868	1	Bracket	
42	848864	1	Tube	
43	1543579	6	Sealing ring	
44	945444	2	Flange screw	
45	3826186	1	Oil feed pipe, incl nut and ferrule	
46	1543578	2	Sealing ring	
47	965186	4	Flange screw	
48	3825153	1	Oil pump	
49	945444	2	Flange screw	5299
50	1543608	1	Cover	
51	949659	1	O-ring	
52	1543630	1	Spring	
53	1543610	1	Peg	
54	1543964	1	Valve seat	
55	1556430	6	Jet, piston cooling	
56	955981	6	· O-ring	
57	1556434	6	Stud	
58	948645	6	Lock nut	