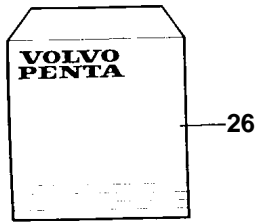
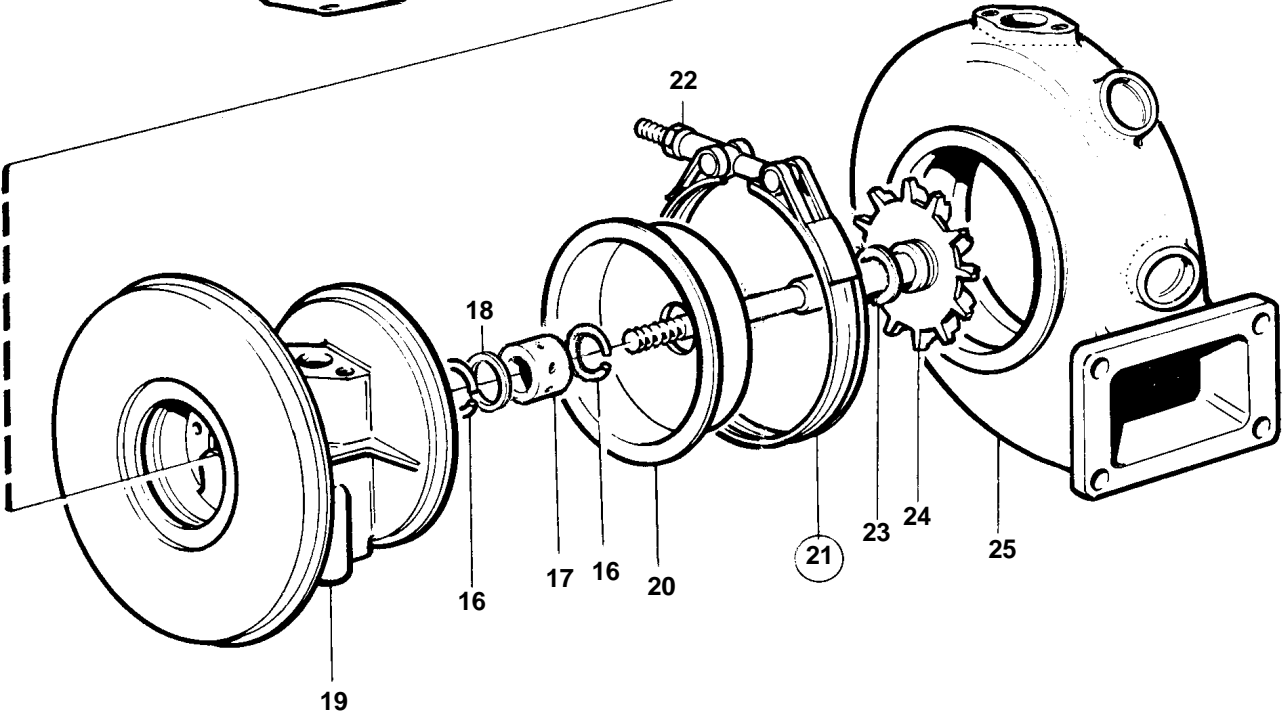
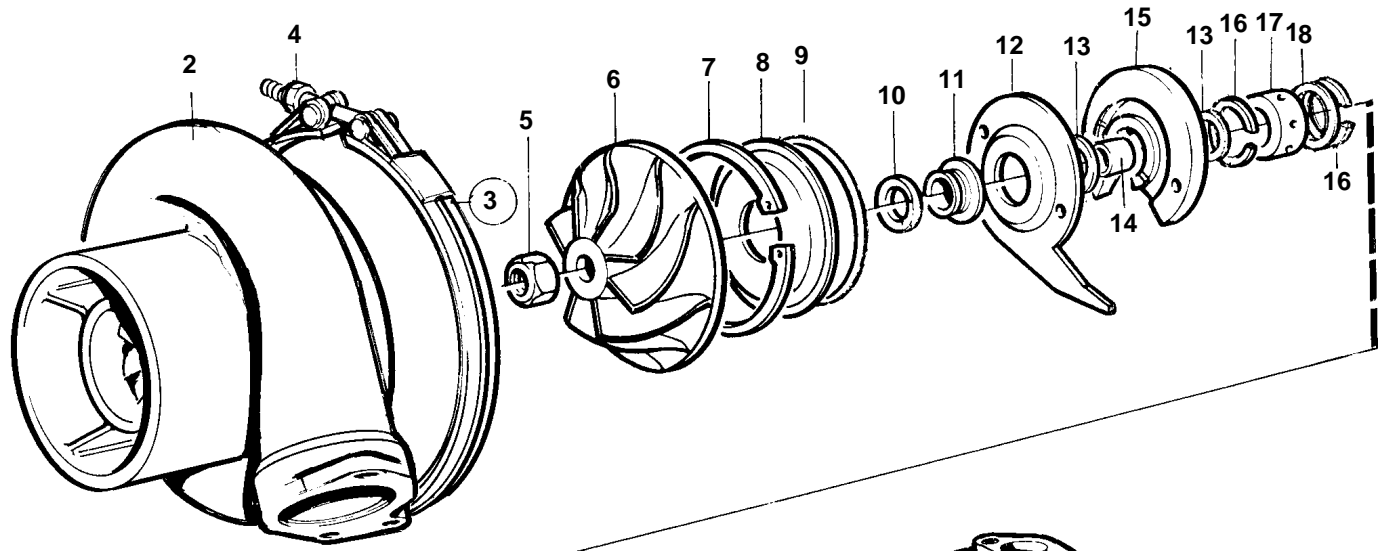


1



| REF | PART NO. | QTY | DESCRIPTION | NOTES |
|-----|----------|-----|----------------------|---------------------------------|
| 1 | 3825186 | 1 | Turbo | |
| | 3802102 | 1 | Turbocharger, exch | Exchange unit |
| 2 | | 1 | · Compressor housing | |
| 3 | 3825794 | 1 | · Clamp | |
| 4 | | 1 | · · Lock nut | Included in repair kit 3830711. |
| 5 | | 1 | · Lock nut | Included in repair kit 3830711. |
| 6 | | 1 | · Compressor wheel | |
| 7 | | 1 | · Lock ring | |
| 8 | | 1 | · Cover | |
| 9 | | 1 | · O-ring | Included in repair kit 3830711. |
| 10 | | 1 | · Piston ring | Included in repair kit 3830711. |
| 11 | | 1 | · Oil deflector ring | Included in repair kit 3830711. |
| 12 | | 1 | · Oil deflector | |
| 13 | | 2 | · Thrust washer | Included in repair kit 3830711. |
| 14 | | 1 | · Spacer | |
| 15 | | 1 | · Bearing | Included in repair kit 3830711. |
| 16 | | 4 | · Lock ring | Included in repair kit 3830711. |
| 17 | | 2 | · Bearing | Included in repair kit 3830711. |
| 18 | | 2 | · Washer | Included in repair kit 3830711. |
| 19 | | 1 | · Bearing housing | |
| 20 | | 1 | · Heat shield | |
| 21 | 3825815 | 1 | · Clamp | |
| 22 | | 1 | · · Lock nut | Included in repair kit 3830711. |
| 23 | | 1 | · Thrust ring | Included in repair kit 3830711. |
| 24 | | 1 | · Turbine rotor | |
| 25 | | 1 | · Turbine housing | |
| 26 | 3825835 | 1 | Repair kit | |