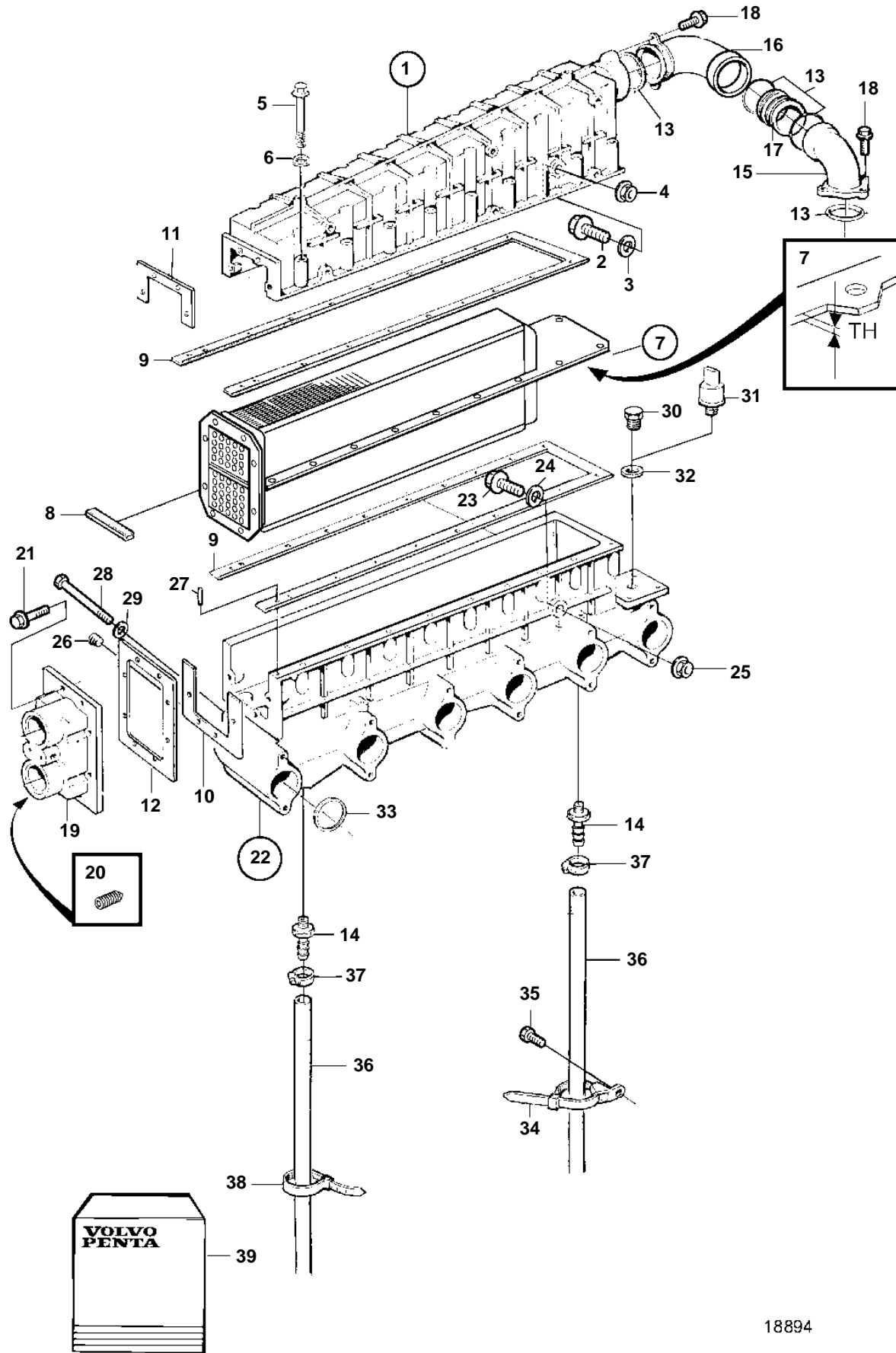


TAMD165A-A, TAMD165P-A



18894

TAMD165A-A, TAMD165P-A

REF	PART NO.	QTY	DESCRIPTION	SEE SEC.	NOTES
1	862257	1	Inlet pipe, without support screw		REPL BY 3826928
	3826928	1	Inlet pipe		REPL BY 3835913
2	3825668	2	· Screw		For fixing of the charge air cooler insert.
3	955899	2	· Washer		Remove the washer, if the support screw will be used.
4	971097	2	Nut		For fixing of the charge air cooler insert.. Only when the support screw will be used.
5	973080	18	Screw		(955308)
6	941907	18	Spring washer		
7		1	Intercooler kit	5355	
8	865383	1	· Sealing strip		Included in after cooler kit 877389.
9	3825913	2	· Gasket		Included in after cooler kit 877389.
10	863117	1	· Gasket		Included in after cooler kit 877389.
11	863118	1	· Gasket		Included in after cooler kit 877389.
12	3828317	1	· Gasket		Included in after cooler kit 877389.
13	3825197	4	· Sealing ring		Included in after cooler kit 877389.
14	180003	2	Nipple		
15	863017	1	Connection pipe, turbo		
16	3835927	1	Connection pipe		
17	866740	1	Intermediate pipe		
18	946173	6	Flange screw		
19	848789	1	Cover		Replaced by 1ea 3828249 cover, 1ea 946847 ground screw and 8ea 947760 flange screw.
	3828249	1	Cover		
20	946847	1	Screw, ground		
21	945444	8	Flange screw		L=16mm
	947760	8	Flange screw		L=40mm
22	876768	1	Inlet pipe, without support screw		REPL BY 3826929
	3826929	1	Inlet pipe		SPARE PART DESIGN
23	3825668	2	· Screw		For fixing of the charge air cooler insert.
24	955899	2	· Washer		For fixing of the charge air cooler insert.
25	971097	2	Nut		For fixing of the charge air cooler insert.. Only when the support screw will be used.
26	479977	2	Plug		
27	950545	2	Pin		
28	955313	11	Screw		L=160mm
	968303	1	Screw		L=190mm
29	941907	12	Spring washer		
30	960632	1	Plug		
31		1	Pressure sensor turbo	5398	
32	947624	1	Gasket		
33	1543172	6	Sealing ring		
34	1578046	1	Retainer		
35	969422	1	Screw, cylinder block		
36	942700	X	Hose		L=850mmx2
37	961662	2	Clamp		
38	948211	3	Strip clamp		
39	876805	1	Gasket kit, inlet pipe		For mounting of the inlet manifold. Bring also 4 ea sealing ring 3825197