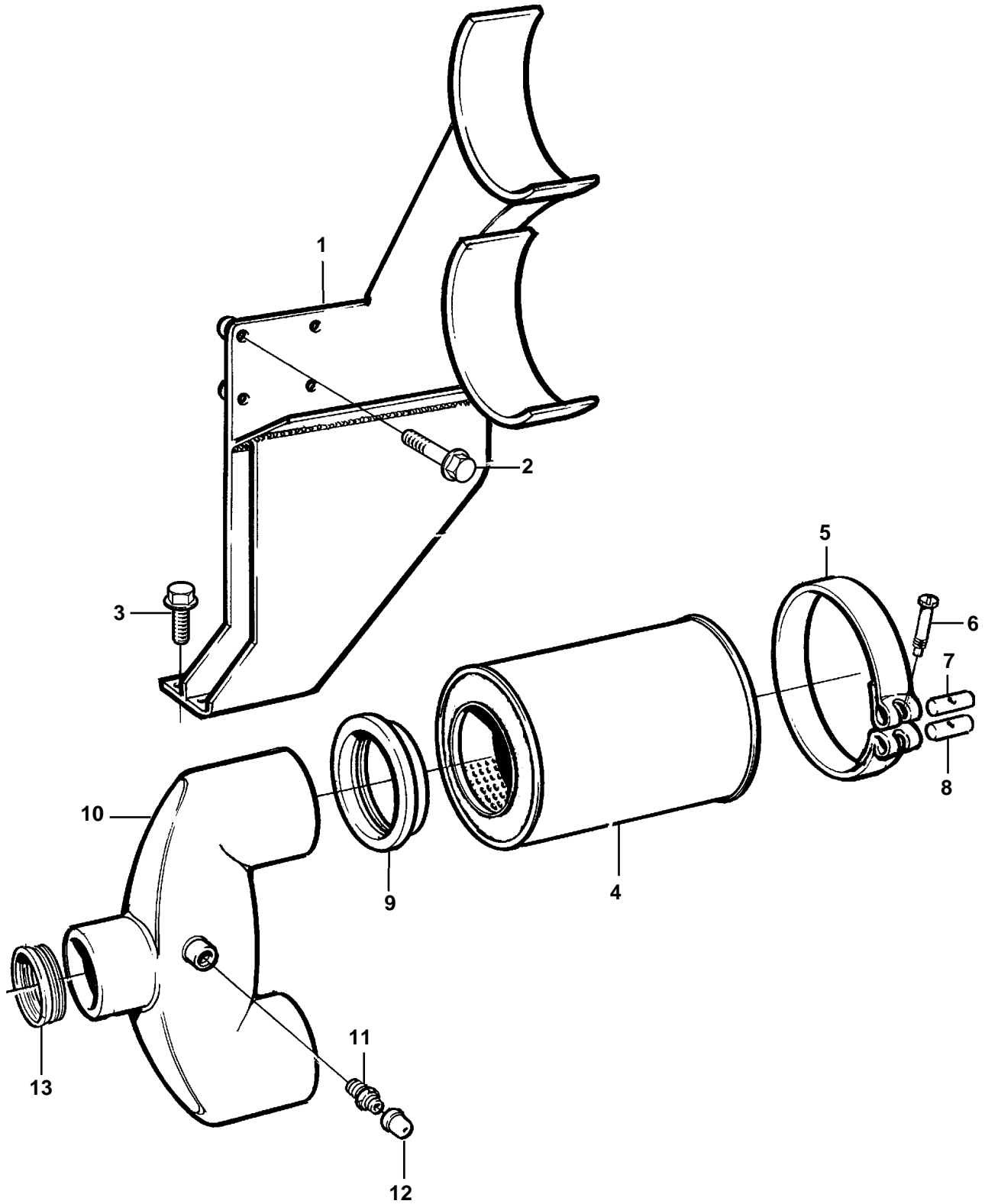


TAMD165C-A



## TAMD165C-A

REF	PART NO.	QTY	DESCRIPTION	NOTES
1	862697	1	Bracket	
2	946671	4	Flange screw	
3	946440	4	Flange screw	
4	842280	2	Air filter	
5	821028	2	Tensioning band	
6	31406	2	Screw	
7	31405	2	Pin, unthreaded	
8	31404	2	Pin, threaded	
9	847257	2	Seal	
10	842853	1	Connection pipe	
11	191095	1	Nipple	
12	3828765	1	Pressure drop indica	(842037)
13	862033	1	Seal	