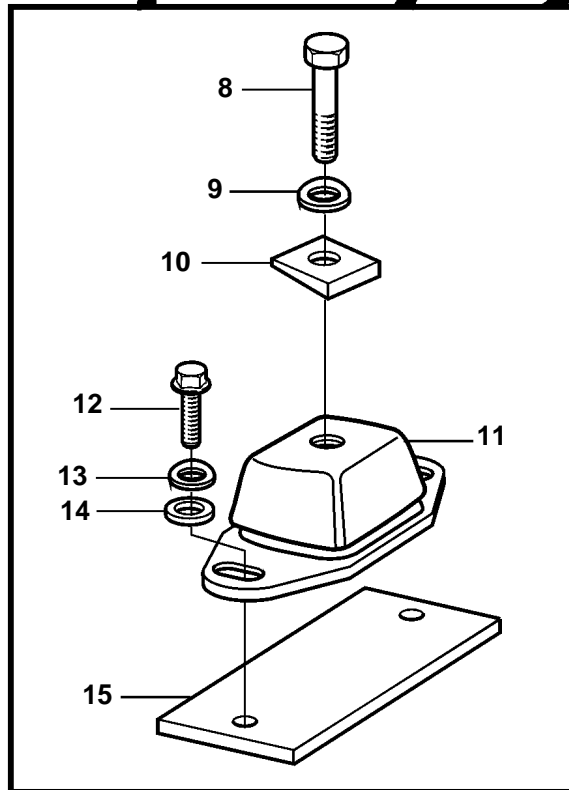
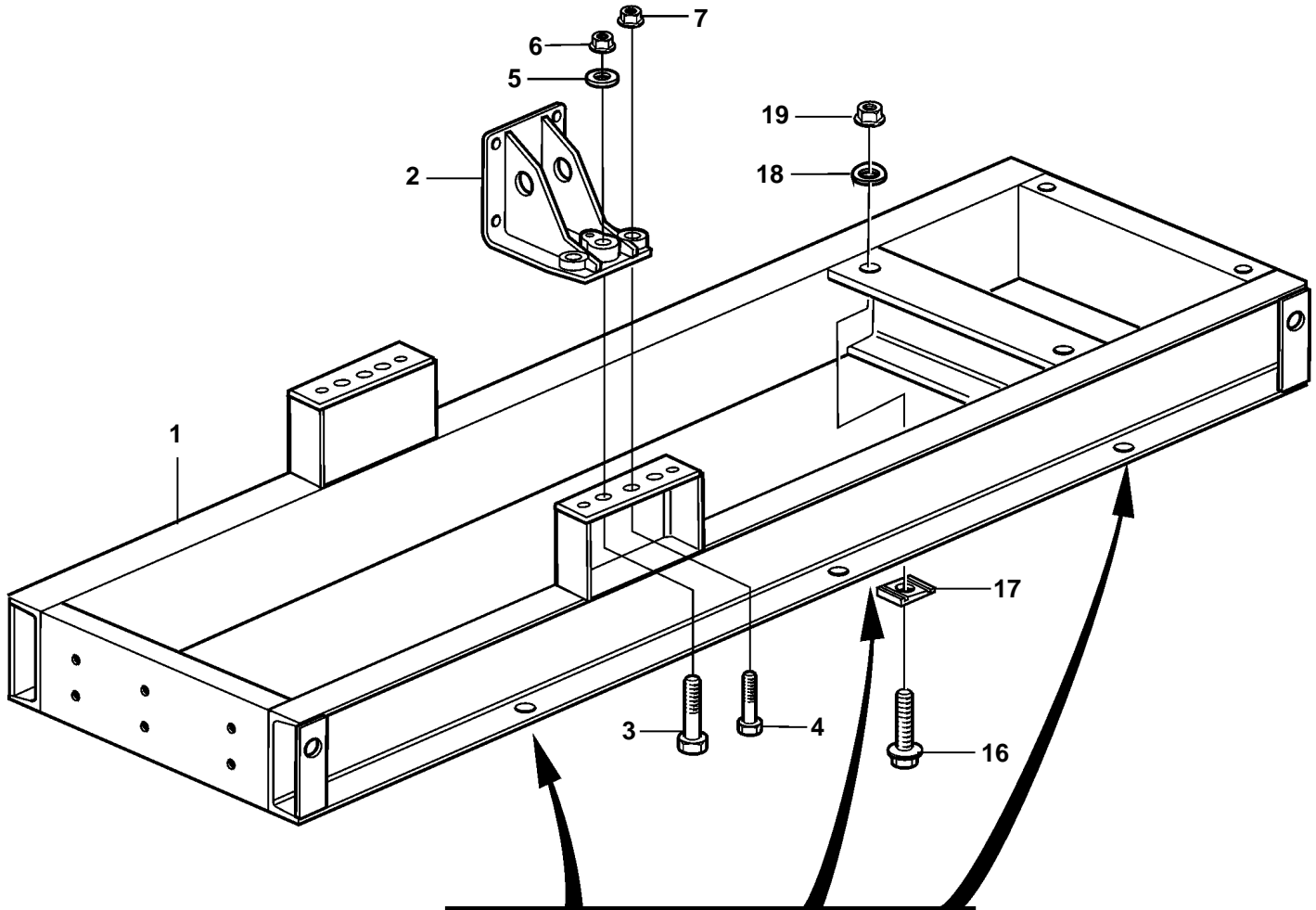


TAMD165A-A



18241

TAMD165A-A

| REF | PART NO. | QTY | DESCRIPTION | SEE SEC. | NOTES |
|-----|----------|-----|----------------------|----------|----------|
| 1 | | 1 | Engine suspens frame | | |
| 2 | | 2 | Engine bracket | 5292 | |
| 3 | | 2 | Hexagon screw | | |
| 4 | 968298 | 4 | Flange screw | | |
| 5 | | 4 | Washer | | |
| 6 | 963096 | 2 | Lock nut | | |
| 7 | 946673 | 4 | Flange lock nut | | |
| 8 | 955387 | 6 | Hexagon screw | | |
| 9 | 941914 | 6 | Spring washer | | |
| 10 | 18683 | 6 | Washer | | |
| 11 | 862347 | 6 | Rubber element | | (862348) |
| 12 | 955361 | 12 | Screw | | |
| 13 | 941912 | 12 | Spring washer | | |
| 14 | 955900 | 12 | Washer | | |
| 15 | | 6 | Plate | | |
| 16 | 955774 | 4 | Screw | | |
| 17 | 191810 | 4 | Washer | | |
| 18 | 941917 | 4 | Spring washer | | |
| 19 | 950381 | 4 | Lock nut | SO | |