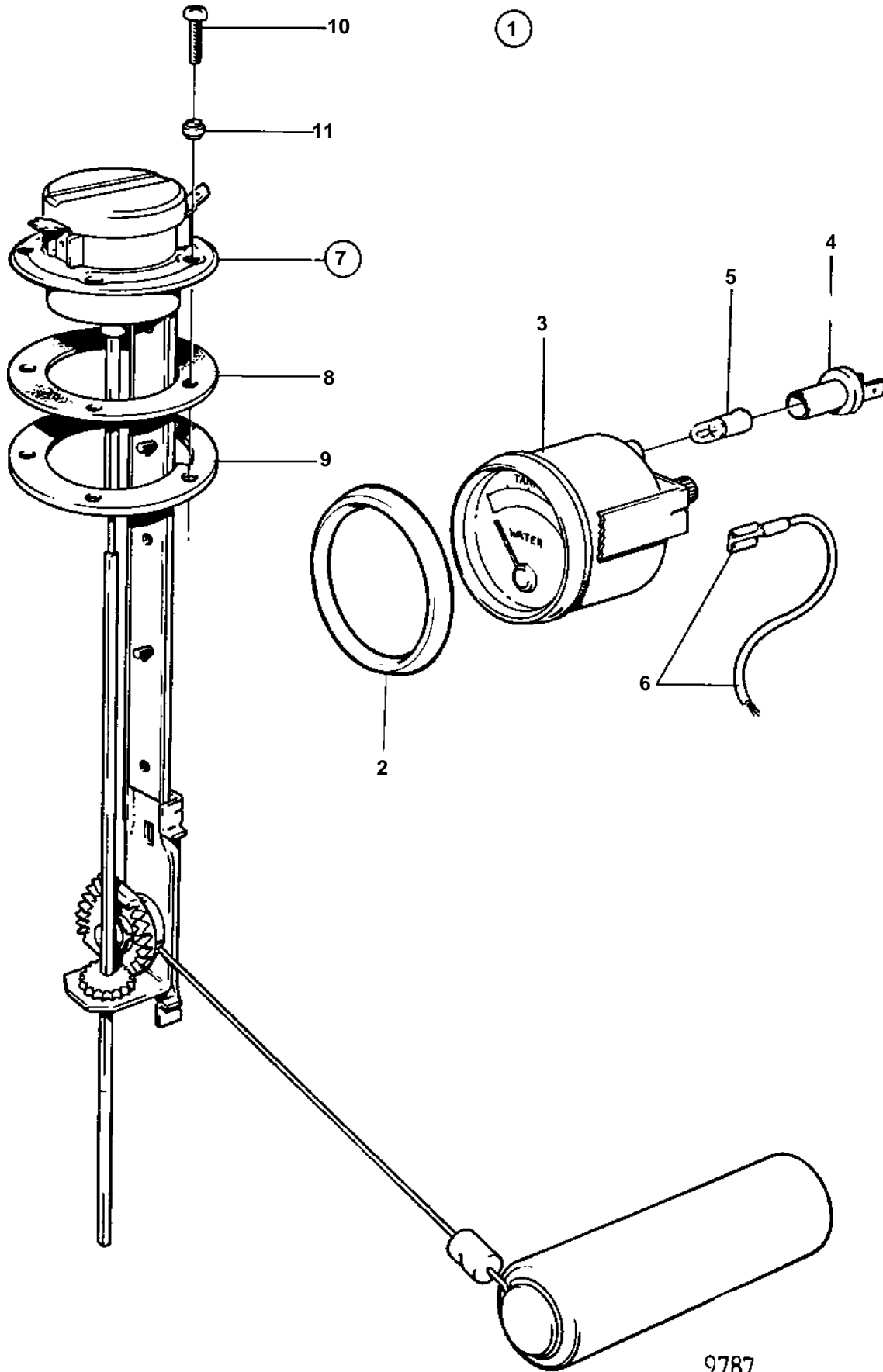


TAMD165C-A, TAMD165A-A, TAMD165P-A



TAMD165C-A, TAMD165A-A, TAMD165P-A

REF	PART NO.	QTY	DESCRIPTION	SEE SEC.	NOTES
1		1	Tank gauge kit		
2	858643	1	• Front ring		
3	863941	1	• Fuel gauge		
4	863945	1	• • Bulb socket		For instruments of early production should white bulb 182059 and bulb holder 808175 be mounted.
5	863947	1	• • Bulb		For instruments of early production should white bulb 182059 and bulb holder 808175 be mounted.
6		X	• Electrical materials	1963	
7	873772	1	• Tank sensor		(837999)
8	89865	1	• • Gasket		
9	834480	1	• • Flange		
10	956078	4	• • Screw		L=16mm
	956081	1	• • Screw		L=25mm
11	834481	5	• • Gasket		