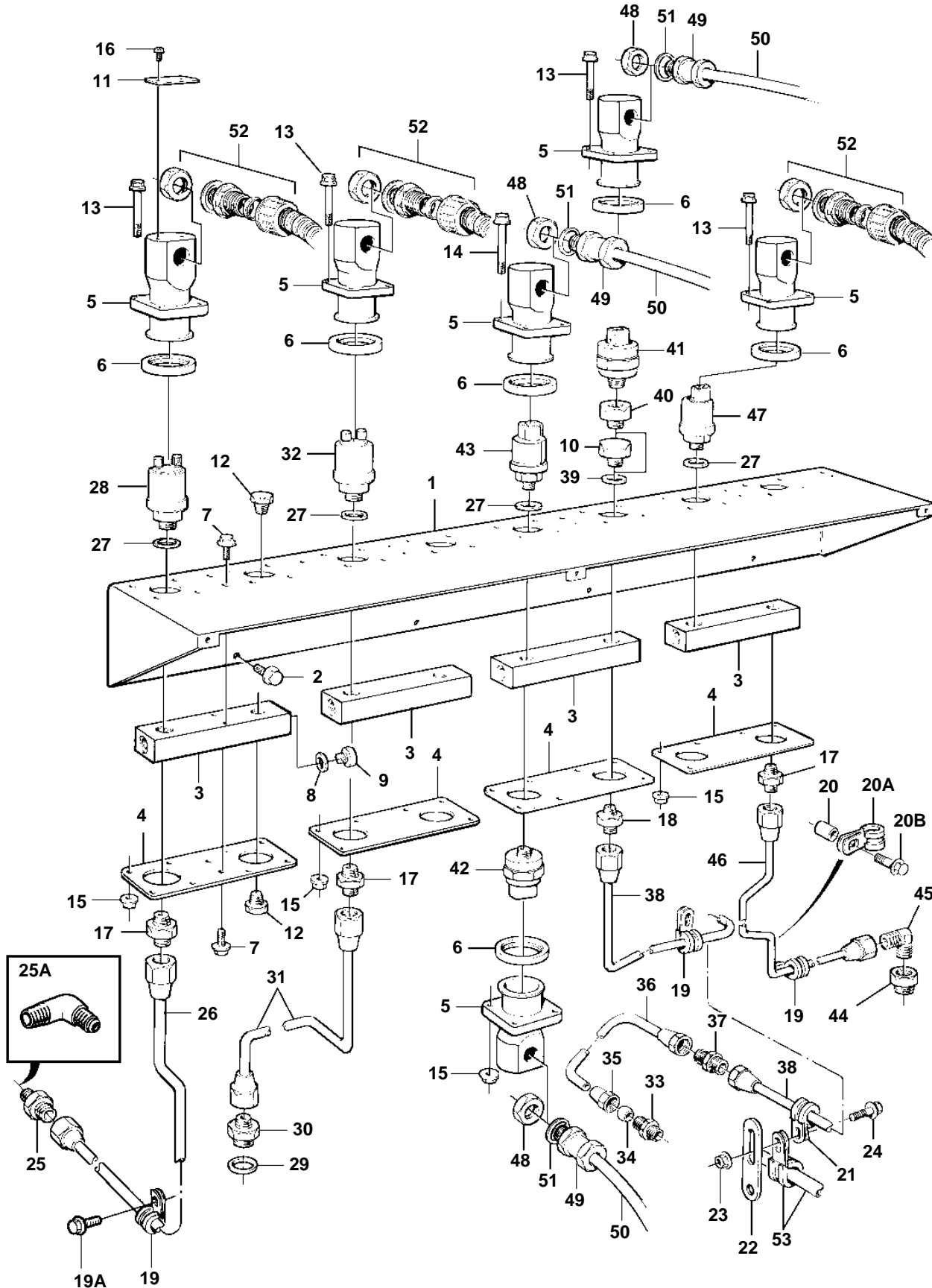


TAMD165C-A, TAMD165A-A



18191

Upd: 21 NOV 2005

18191

7744520 - 30 - 5396

TAMD165C-A, TAMD165A-A

REF	PART NO.	QTY	DESCRIPTION	SEE SEC.	NOTES
1		1	Bracket		
2	946440	8	Flange screw		
3	849346	4	Collecting piece		
4	849671	4	Attaching plate		
5	849670	6	Protecting casing		
6	843584	6	Sealing ring		
7	967949	16	Screw		(965175)
8	947282	8	Gasket		
9	966142	8	Plug		
10	960632	4	Plug		
11		6	Sign		
12	981749	6	Plug		
13	965180	20	Flange screw		L=60mm
14	965181	4	Screw		L=70mm
15	946036	20	Lock nut		
16	955113	12	Screw		
17	954336	3	Nipple		
18	954335	1	Fitting, oil-engine		
19	942400	X	Clamp		
19A	946440	1	Flange screw		SN1101053680/XXXXX-
20	830674	1	Spacer sleeve, oil pipe-turbo		
20A	952624	1	Clamp, oil pipe-turbo		
20B	940101	1	Screw, oil pipe-turbo		
21	952623	2	Clamp		
22	965534	2	Bracket, crankcase vent.		
23	945407	2	Flange nut		
24	946934	2	Flange screw		
25	190962	1	Nipple, sea water		SN-1101053679XXXXX
25A	944155	1	Nipple		SN1101053680/XXXXX-
26		1	Pressure pipesea water		SN-1101053679XXXXX. Replaced by 1ea pressure pipe 3826522, 1ea elbow nipple 944155 plus 1ea clamp 942400 and 1ea screw 946440.
	3826522	1	Pressure pipe		SN1101053680/XXXXX-
27	11998	4	Gasket		
28	846311	1	Pressure sensor, sea water		
29	969011	1	Gasket, fresh water		
30	948223	1	Nipple, fresh water		
31	863281	1	Pressure pipe, fresh water		
32	846311	1	Pressure sensor, fresh water		
33	954378	1	Fitting, oil-engine		
34	954364	1	Fitting, oil-engine		
35	954356	1	Cap nut, oil-engine		
36	863283	1	Pressure pipe, oil-engine		
37	954328	1	Nipple, oil-engine		
38	3826081	1	Pressure pipe, oil-engine		
39	947624	1	Gasket, oil-engine		
40	16381	1	Reduction nipple, oil-engine		
41	873526	1	Pressure monitor, oil-engine		ALARM
42	863169	1	Pressure monitor, oil-engine		STOP
43	866835	1	Pressure sensor, oil-engine		
	866836	1	Pressure sensor, oil-engine		DUAL STATION. For double instruments.
44	942919	1	Nipple, oil-MG516		
45	954343	1	Elbow nipple, oil-MG516		
46	863285	1	Pressure pipe, oil-MG516		
47	866839	1	Pressure sensor, oil-MG516		
48	880244	3	Nut		
49	881191	3	Cable union		
50	862989	X	Cable		2x1,5 sq.mm. Non reinforced ship cable approved by classification societies.
51	11998	3	Gasket		
52	872678	1	Wiring harness		Electrical box- sea water- fresh water- reverse gear- turbo pressure.
53		1	Connectorleakage sensor	5399	