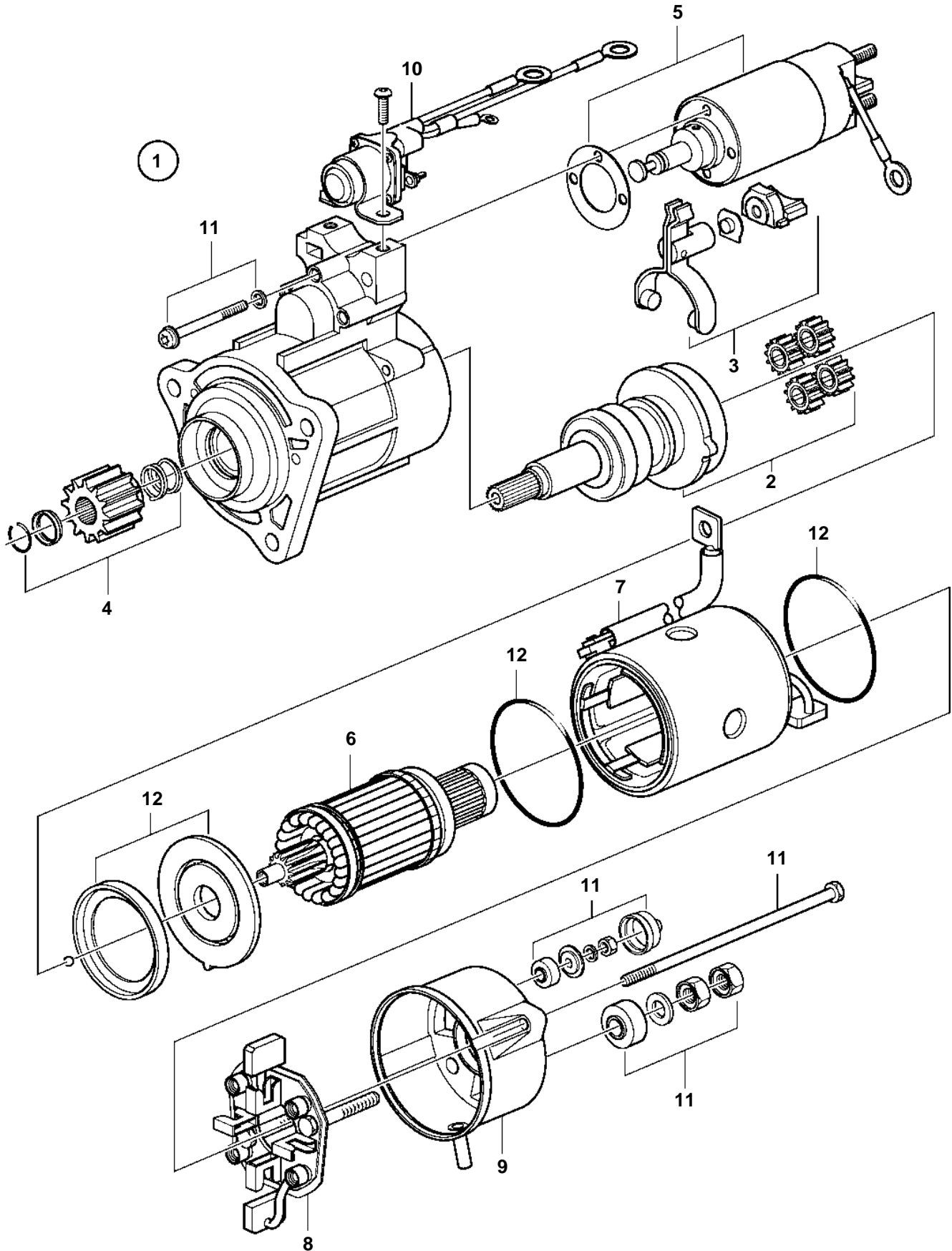


TWD1620G, TWD1630G, TAD1630G, TAD1630GE, TAD1631G, TAD1631GE



TWD1620G, TWD1630G, TAD1630G, TAD1630GE, TAD1631G, TAD1631GE

| REF | PART NO. | QTY | DESCRIPTION | NOTES |
|-----|----------|-----|------------------------|---------------|
| 1 | 874304 | 1 | Starter motor | E.U=3803550 |
| | 3803550 | 1 | Starter motor, exch | Exchange unit |
| 2 | | 1 | · Shaft | |
| 3 | | 1 | · Lever | |
| 4 | 874738 | 1 | · Starter pinion | |
| 5 | 874745 | 1 | · Solenoid | |
| 6 | | 1 | · Rotor | |
| 7 | | 1 | · Stator | |
| 8 | 874741 | 1 | · Carbon brush retaine | |
| 9 | | 1 | · Bearing shield | |
| 10 | 874743 | 1 | · Relay | |
| 11 | 874747 | 1 | · Screw kit | |
| 12 | 874746 | 1 | · Gasket kit | |