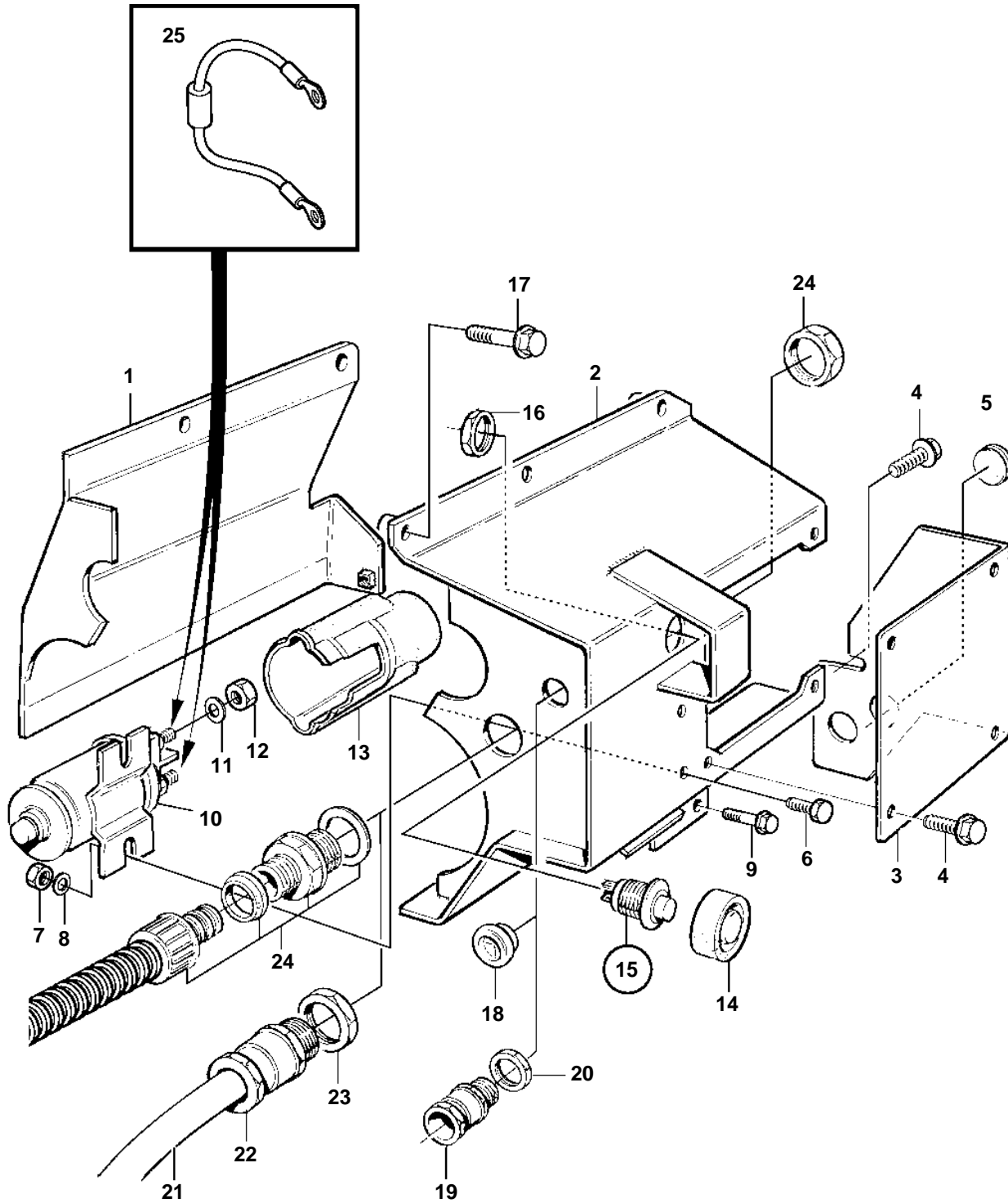


TAMD165C-A, TAMD165A-A



TAMD165C-A, TAMD165A-A

REF	PART NO.	QTY	DESCRIPTION	NOTES
1	865322	1	Cover	
2	862685	1	Cover	
3	863621	1	Cover	
4	967949	5	Screw	(965175)
5	941269	2	Cable grommet	
6	955244	2	Screw	
7	963104	2	Nut	
8	940090	2	Washer	
9	973924	2	Flange screw	
10	873962	1	Relay	
11	941907	2	· Spring washer	
12	955782	2	· Nut	
13	1581123	1	Cover	
14	837533	1	Rubber cap	
15	843684	1	Button	
16		1	· Nut	
17	947760	3	Flange screw	
18	975996	1	Plug	
19	881191	1	Cable union, shut-off valve	
20	880244	1	Nut, shut-off valve	
21	872679	1	Wiring harness, electr box-altern-starter	
22	881520	1	Fitting	
23	880755	1	Nut	
24	872679	1	Wiring harness	
25	873789	1	Diode	