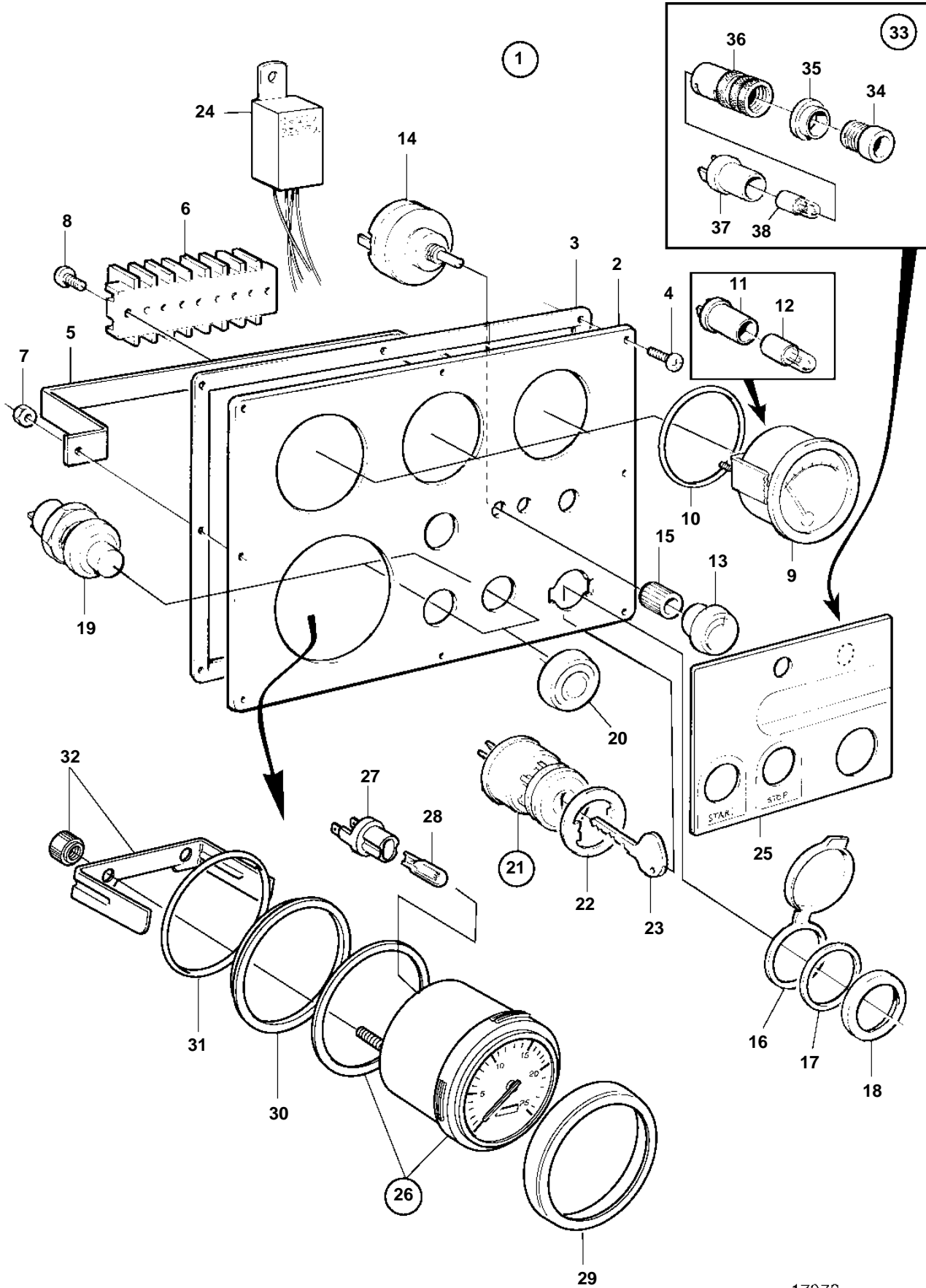


TAMD165C-A, TAMD165A-A



TAMD165C-A, TAMD165A-A

REF	PART NO.	QTY	DESCRIPTION		NOTES
1	873809	1	Instrument panel		
2	862063	1	• Instrument plate		
3	862152	1	• Gasket		
4	862217	8	• Screw		
5	862198	1	• Brace		
6	862181	2	• Terminal block		
7	955779	2	• Nut		
8		4	• Screw		M4x14
9	862076	1	• Temperature gauge, coolant water		
	862079	1	• Temperature gauge, oil temperature engine		
	862082	1	• Pressure gauge, oil pressure-engine		
10		3	• • O-ring		
11	808175	3	• Bulb socket		
12	828818	3	• Bulb		
13	862180	1	• Knob		
14	1578846	1	• Rheostat		
15	843002	1	• Nut		
16	862151	1	• Protecting cover		
17		1	• Washer		
18	862466	1	• Round nut		
19	843684	2	• Button		
20	837533	2	• Rubber cap		
21	837437	1	• Starter switch		
22		1	• • Washer		
23	240321	2	• • Key, type S	SO	State key code when ordering.
	241383	2	• • Key, type E	SO	State key code when ordering.
24	864150	1	• Transformer		
25		1	• Decal		VOLVO PENTA (873995)
26	874496	1	Rev counter kit, incl hour-meter		
27	863945	1	• Bulb socket		
28	863947	1	• Bulb		
29	873683	1	Front ring		
30	873721	1	Intermediate ring		
31	925256	1	O-ring		
32	873208	1	Retainer		
33	862819	1	Indicating lamp		Included in kit 873810, but will be mounted in the main instrument.
34		1	• Lens		BLUE
35		1	• Intermediate ring		
36	819350	1	• Sleeve		
37	808175	1	• Bulb socket		
38	828818	1	• Bulb		