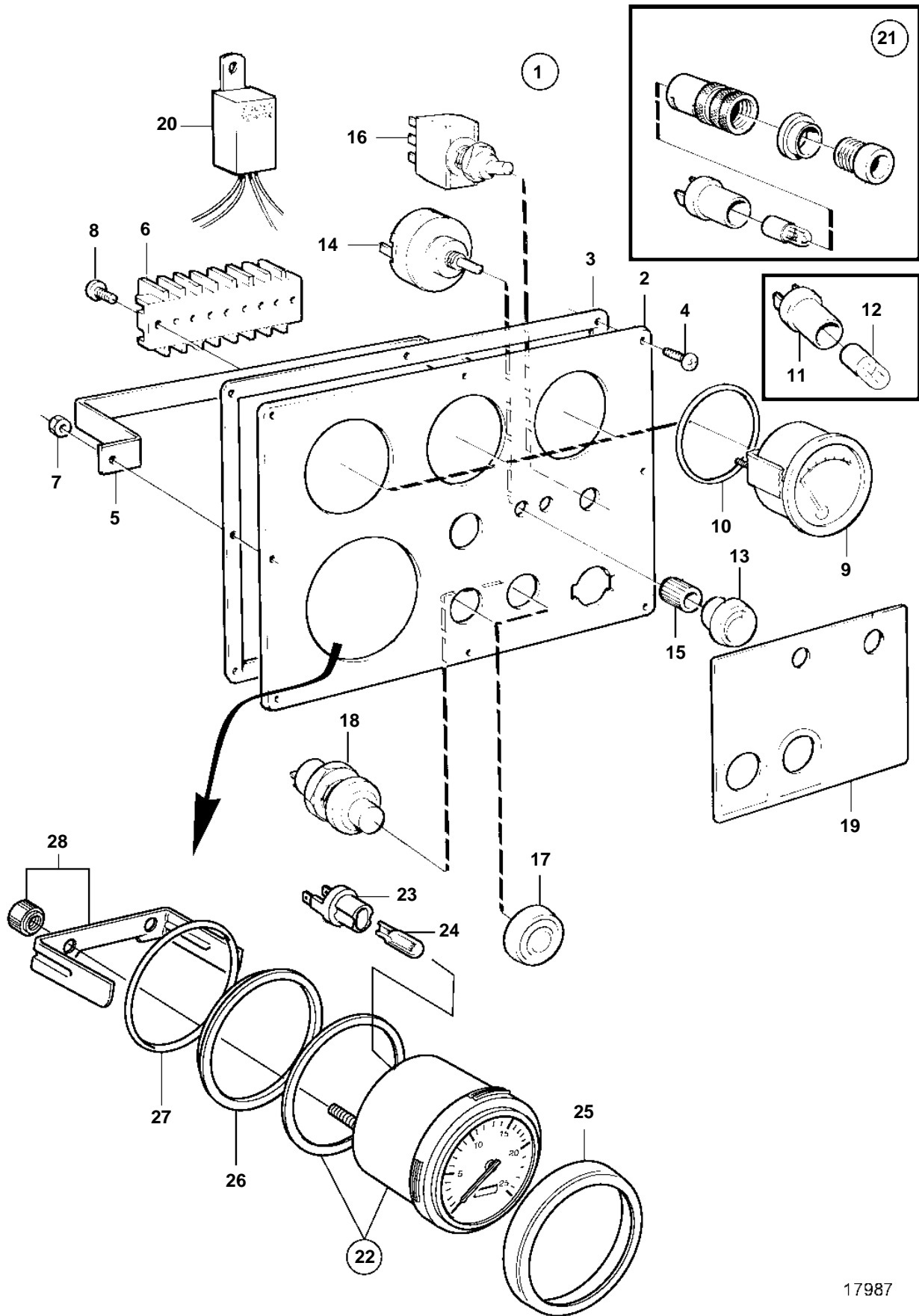


TAMD165C-A, TAMD165A-A



17987

TAMD165C-A, TAMD165A-A

REF	PART NO.	QTY	DESCRIPTION	SEE SEC.	NOTES
1	873810	1	Instrument panel		
2	862063	1	· Instrument plate		
3	862152	1	· Gasket		
4	862217	8	· Screw		
5	862198	1	· Brace		
6	862181	2	· Terminal block		
7	955779	2	· Nut		
8		4	· Screw		M4x14mm
9	862076	1	· Temperature gauge, coolant water		
	862079	1	· Temperature gauge, oil temperature engine		
	862082	1	· Pressure gauge, oil pressure-engine		
10		3	· · O-ring		
11	808175	4	· Bulb socket		
12	828818	4	· Bulb		
13	862180	1	· Knob		
14	1578846	1	· Rheostat		
15	843002	1	· Nut		
16	862853	1	· Switch		
17	837533	2	· Rubber cap		
18	843684	2	· Button		
19		1	· Decal		
20	864150	1	· Transformer		
21	862819	1	· Indicating lamp	5384	Included in kit 873810, but will be mounted in the main instrument. (873995)
22	874496	1	· Rev counter kit		
23	863945	1	· · Bulb socket		
24	863947	1	· · Bulb		
25	873683	1	· Front ring		
26	873721	1	· Intermediate ring		
27	925256	1	· O-ring		
28	873208	1	· Retainer		